



EdgeGo

4 DMX Universe portable lighting console
with 10" touchscreen and 6 playback



QUICK GUIDE

Thank you for choosing PROLIGHTS

Please note that every PROLIGHTS product has been designed in Italy to meet quality and performance requirements for professionals and designed and manufactured for the use and application as shown in this document.

Any other use, if not expressly indicated, could compromise the good condition/operation of the product and/or be a source of danger.

This product is meant for professional use. Therefore, commercial use of this equipment is subject to the respectively applicable national accident prevention rules and regulations.

Features, specifications and appearance are subject to change without notice. Music & Lights S.r.l. and all affiliated companies disclaim liability for any injury, damage, direct or indirect loss, consequential or economic loss or any other loss occasioned by the use of, inability to use or reliance on the information contained in this document.

Product user manual can be downloaded from the website www.prolights.it , or can be inquired to the official PROLIGHTS distributors of your territory (<https://prolights.it/contact-us>).

Scanning the below **QR Code**, you will access the download area of the product page, where you can find a broad set of always updated technical documentation: specifications, user manual, technical drawings, photometrics, personalities, fixture firmware updates.



**Visit the download area
of the product page**



The PROLIGHTS Logo, PROLIGHTS names and all other trademark in this document pertaining to PROLIGHTS services or PROLIGHTS product are trademarks OWNED or licensed by Music & Lights S.r.l., its affiliates, and subsidiaries. PROLIGHTS is a registered trademark by Music & Lights S.r.l. All right reserved. Music & Lights – Via A. Olivetti, snc - 04026 - Minturno (LT) ITALY.

INDEX

SAFETY INFORMATION	02
1 - PACKAGING	05
PACKAGE CONTENT	05
OPTIONAL ACCESSORIES	05
2 - TECHNICAL DRAWING	05
3 - PRODUCT OVERVIEW	06
4 - CONNECTION TO THE POWER SUPPLY	07
5 - DMX CONNECTION	07
CONNECTION OF THE CONTROL SIGNAL: DMX LINE	07
INSTRUCTIONS FOR A RELIABLE WIRED DMX CONNECTION	07
CONNECTION DAISY CHAIN	07
CONNECTION OF THE DMX LINE	07
CONSTRUCTION OF THE DMX TERMINATION	08
6 - CONTROL PANEL	09
7 - PERSONALITY LIBRARY	10
FACTORY LIBRARY	10
USER LIBRARY	10
SHOW LIBRARY	10
8 - FIRMWARE UPDATE	11
NOTES	11
UPDATE USING USB:	11
UPDATE USING THE ONLINE UPDATE FUNCTIONALITY:	11
9 - MAINTENANCE	12
MAINTENANCE THE PRODUCT	12
VISUAL CHECK OF PRODUCT HOUSING	12
TROUBLESHOOTING	12

Check the complete user manual at the following link:

<https://www.edgecontrol.it/docs/>

SAFETY INFORMATION



WARNING!

- See <https://www.prolights.it/product/EDGEGO#download> for installation instructions.
- Please read carefully the instruction reported in this section before installing, powering, operating or servicing the product and observe the indications also for its future handling.



This unit is not for household and residential use, only professional applications.



Connection to mains supply

- The Connection to the mains supply must be carried out by a qualified electrical installer.
- Use only AC supplies 100-240V 50-60 Hz, the fixture must be electrically connected to ground (earth).
- Select the cable cross section in according with the maximum current draw of the product and the possible number of products connected at the same power line.
- The AC mains power distribution circuit must be equipped with magnetic+residual current circuit breaker protection.
- Do not connect it to a dimmer system; doing so may damage the product.



Protection and Warning against electrical shock

- Do not remove any cover from the product, always disconnect the product from power (batteries or low-voltage DC mains) before servicing.
- Ensure that the fixture is connected to class III equipment operates at safety extra-low voltages (SELV) or protected extra-low voltages (PELV). And use only a source of AC power that complies with local building and electrical codes and has both overload and ground-fault (earth-fault) protection to power class III devices.
- Before using the fixture, check that all power distribution equipment and cables are in perfect condition and rated for the current requirements of all connected devices.
- Isolate the fixture from power immediately if the power plug or any seal, cover, cable, or other components are damaged, defective, deformed or showing signs of overheating.
- Do not reapply power until repairs have been completed.
- Refer any service operation not described in this manual to PROLIGHTS Service team or an authorized PROLIGHTS service center.



Installation

- Make sure that all visible parts of the product are in good visible condition before its use or installation.
- Make sure the point of anchorage is stable before positioning the device.
- Install the product only in well ventilated places.
- For non temporary installations, ensure that the fixture is securely fastened to a load-bearing surface with suitable corrosionresistant hardware.
- Do not install the fixture near sources of heat.
- If this device will be operated in any way different to the one described in this manual, it may suffer damages and the guarantee becomes void. Furthermore, any other operation may lead to dangers like short circuit, burns, electric shock, etc

T_a 45°C

Max operating ambient temperature (T_a)

- Do not operate the fixture if the ambient temperature (T_a) exceeds 45 °C (113 °F).

T_a 0°C

Minimum operating ambient temperature (T_a)

- Do not operate the fixture if the ambient temperature (T_a) is below 0 °C (32 °F).



Protection from burns and fire

- Ensure that there is free and unobstructed airflow around the fixture.
- Keep flammable materials well away from the fixture
- Do not attempt to bypass thermostatic switches or fuses.



Indoor use

- This product is designed for indoor and dry environments.
- Do not use in wet location and do not expose the fixture to rain or moisture.
- Never use the fixture in places subject to vibrations or bumps.
- Make certain that no inflammable liquids, water or metal objects enter the fixture.
- Excessive dust, smoke fluid, and particle build up degrades performance, causes overheating and will damage the fixture.
- Damages caused by inadequate cleaning or maintenance are not covered by the product warranty.



Maintenance

- Warning! Before starting any maintenance work or cleaning of the unit, disconnect the fixture from AC mains power and allow to cool for at least 10 minutes before handling.
- Only technicians who are authorized by PROLIGHTS or Authorized service partners are permitted to open the fixture.
- Users may carry out external cleaning, following the warnings and instructions provided, but any service operation not described in this manual must be referred to a qualified service technician.
- Important! Excessive dust, smoke fluid, and particle build up degrades performance, causes overheating and will damage the fixture. Damages caused by inadequate cleaning or maintenance is not covered by the product warranty.



Radio receiver

This product contains a radio receiver and/or transmitter:

- Maximum output power: 17 dBm.
- Frequency band: 2.4 GHz.



Disposal

- This product is supplied in compliance with European Directive 2012/19/EU – Waste Electrical and Electronic Equipment (WEEE). To preserve the environment please dispose/ recycle this product at the end of its life according to the local regulation.
- Don't throw the unit into the garbage at the end of its lifetime.
- Make sure to dispose according to your local ordinances and/or regulations, to avoid polluting the environment!
- The packaging is recyclable and can be disposed.



Lithium-Ion Battery Maintenance Guidelines

Refer to your battery's user manual and/or online help for detailed information about charging, storage, maintenance, transportation and recycling.



The products to which this manual refers comply with:

- 2014/35/EU - Safety of electrical equipment supplied at low voltage (LVD).
- 2014/30/EU - Electromagnetic Compatibility (EMC).
- 2011/65/EU - Restriction of the use of certain hazardous substances (RoHS).
- 2014/53/EU - Radio Equipment Directive (RED).

1 - PACKAGING

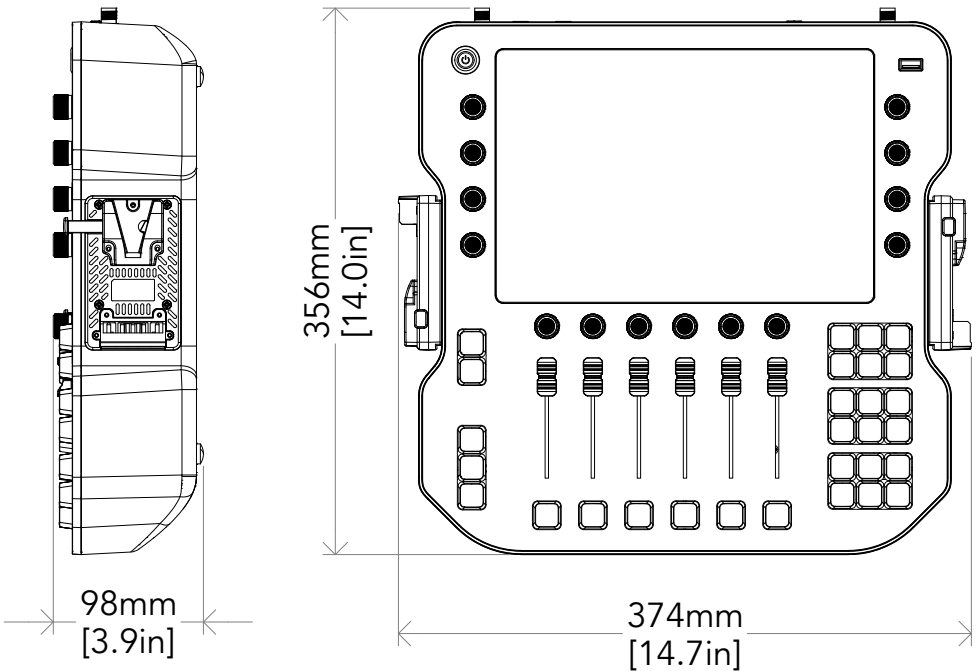
PACKAGE CONTENT

- 1 x EDGEGO
- 1 x VDE15BEL010 Power cable VDE socket, bare-end, 3 X 1,5mm², L.1m
- 2 x AEB2DBA 2 dBi Omni antenna (RP-TNC male connector)
- 1 x external power supply
- 1 x User manual

OPTIONAL ACCESSORIES

Check the updated accessories list, description and informations of the product at the following link:
<https://www.prolights.it/product/EDGEGO#accessories>

2 - TECHNICAL DRAWING

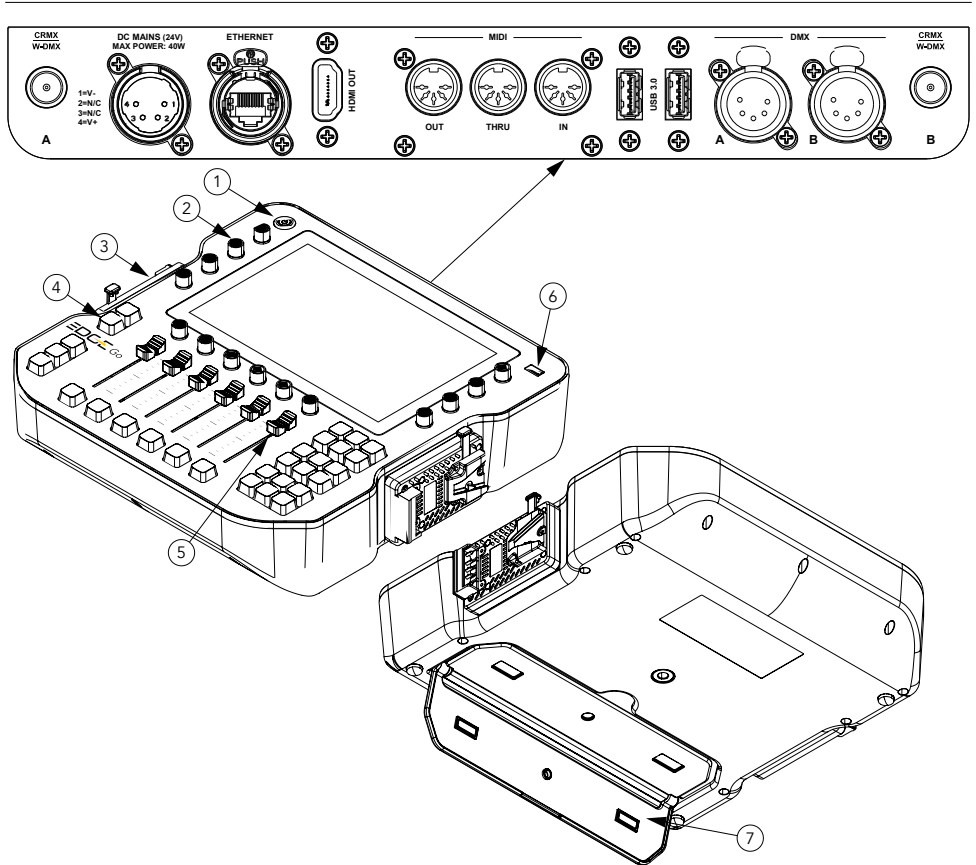


Weight: 4,1 kg - 9,04 lbs

Fig. 01

3 - PRODUCT OVERVIEW

1. Power button;
2. 14x Pushable encoders with RGB backlight;
3. 2x V-Mount battery adapters;
4. 29x Buttons;
5. 6x Sliding faders;
6. USB Port;
7. Flap plate with magnets.



DMX OUT: Is the output of the DMX signal, universe A and universe B.
HDMI OUT: Is the Output of the video signal, to
MIDI IN: MIDI Input enables remote operation of the EdgeGo console using external MIDI devices.
MIDI THRU: To pass on (or through) an exact copy of the data present at the MIDI IN of the device.
MIDI OUT: Is the output of the MIDI signal.

Fig 02

4 - CONNECTION TO THE POWER SUPPLY

EDGEEO is equipped onboard accessory to fit V-Mount batteries. If you want to keep it lighter, you can still source power from the DC mains and the included PSU 4P connector.

Wired power keep always priority so that you can keep your batteries connected as power backup. The max power consumption is 40W.

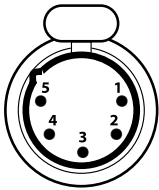
5 - DMX CONNECTION

CONNECTION OF THE CONTROL SIGNAL: DMX LINE

The product has XLR socket for DMX input and output.

The default pin-out on both socket is as the following diagram:

DMX - OUTPUT XLR socket



- Pin1 : GND - Shield
- Pin2 : - Signal
- Pin3 : + Signal
- Pin4 : N/C
- Pin5 : N/C

Fig. 03

INSTRUCTIONS FOR A RELIABLE WIRED DMX CONNECTION

Use shielded twisted-pair cable designed for RS-485 devices: standard microphone cable cannot transmit control data reliably over long runs. 24 AWG cable is suitable for runs up to 300 meters (1000 ft). Heavier gauge cable and/or an amplifier is recommended for longer runs.

To split the data link into branches, use splitter-amplifiers in the connection line.

Do not overload the link. Up to 32 devices may be connected on a serial link.

CONNECTION DAISY CHAIN

Connect the DMX data output from the DMX source to the product DMX input (male connector XLR) socket.

Run the data link from the product XLR output (female connector XLR) socket to the DMX input of the next fixture.

Terminate the data link by connecting a 120 Ohm signal termination. If a splitter is used, terminate each branch of the link.

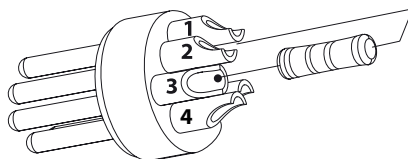
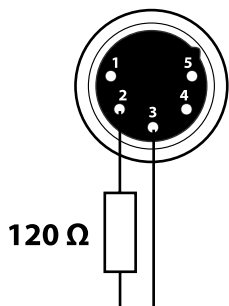
Install a DMX termination plug on the last fixture on the link.

CONNECTION OF THE DMX LINE

DMX connection employs standard XLR connectors. Use shielded pair-twisted cables with 120Ω impedance and low capacity.

CONSTRUCTION OF THE DMX TERMINATION

The termination is prepared by soldering a 120Ω 1/4 W resistor between pins 2 and 3 of the male XLR connector, as shown in figure.



Example:
5 pin XLR connector

Fig. 04

6 - CONTROL PANEL

The product has an 10" touchscreen display with 4 RGB push encoders and physical buttons for unprecedented user experience.

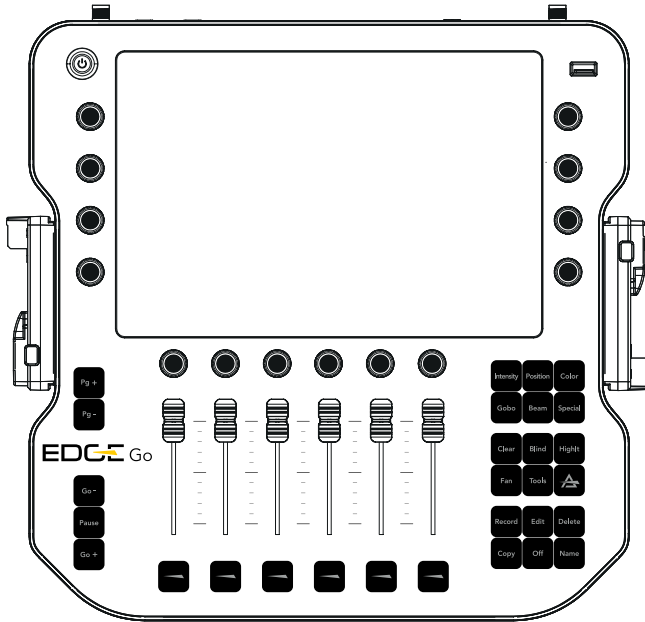


Fig. 05

Quick Funcionts Key:

	<ul style="list-style-type: none"> • SLIDING FADER
	<ul style="list-style-type: none"> • PUSHABLE ENCODER
	<ul style="list-style-type: none"> • FUNCTION BUTTON

7 - PERSONALITY LIBRARY

The EdgeGo Console's Fixture Library is divided into three parts: Factory Library, User Library, and Show Library. Each library serves a specific purpose and has its own characteristics.

FACTORY LIBRARY

The Factory Library is pre-installed with around 20,000 fixture types and is maintained by Atlabase. This library is not editable by the user, and its content is replaced with every software update. The Factory Library may also be updated independently from the console's operating system, ensuring that you have the latest fixture profiles available.

USER LIBRARY

The User Library is fully editable and customizable by the user. It is stored on the console's flash drive and is not replaced or deleted during software updates. The fixtures in the User Library are available for all existing and new show files, allowing users to add their own fixture types, make modifications, and retain them across updates.

SHOW LIBRARY

The Show Library is specific to each show file. Before a fixture can be patched to a show, it must be added to the Show Library. The Show Library is saved within the show file and will be exported along with the show when backing up to a USB drive. This ensures that all the fixture types used in a specific show are retained within the show's data, making it portable and easy to transfer between consoles.

Check further informations [Here](#).

8 - FIRMWARE UPDATE

NOTES

- **Stable Power Source:** Ensure EdgeGo is connected to a stable power source to prevent interruptions during the firmware update that could cause unit corruption.

UPDATE USING USB:

- Download the latest Software Version from the Prolights Website.
- Make sure the file ending is .ssu.
- Copy the .ssu file to the edge/software_update folder onto a FAT formatted USB Stick.
- Connect the USB Stick to the EDGE console.
- Open the Menu by clicking the Menu menu button and change to the System tab.
- Click on Software Update.
- Click on USB.
- A wizard will walk you through the update process. The console will save the showfile and restart automatically after the update is completed successfully.

UPDATE USING THE ONLINE UPDATE FUNCTIONALITY:

- Make sure the console is connected to the internet.
- Open the Menu by clicking the Menu menu button and change to the System tab.
- Click on Software Update.
- Click on Online.
- A wizard will walk you through the update process. The console will save the showfile and restart automatically after the update is completed successfully.

9 - MAINTENANCE

MAINTENANCE THE PRODUCT

It is recommended that the product be checked at regular intervals.

- For cleaning use a soft, clean cloth moistened with a mild detergent. Never use a liquid, it might penetrate the unit and cause damage to it.
- The user may also upload firmware (product software) to the fixture via the DMX signal input port and instructions from PROLIGHTS.
- It is recommended to check at least annually if new firmware is available and a visual check of the status of the device and mechanical parts.
- All other service operations on the product must be carried out by PROLIGHTS, its approved service agents or trained and qualified personnel.
- It is PROLIGHTS policy to apply use the best quality materials available to ensure optimum performance and the longest possible component lifetimes. However, components are subject to wear and tear over the life of the product. The extent of wear and tear depends heavily on operating conditions and environment, so it is impossible to specify precisely whether and to what extent performance will be affected. However, you may eventually need to replace components if their characteristics are affected by wear and tear after an extended period of use.
- Use only accessories approved by PROLIGHTS.

VISUAL CHECK OF PRODUCT HOUSING

- The parts of the product cover/housing should be checked for eventual damages and breaking start at least every two months. If hint of a crack is found on some plastic part, do not use the product until the damaged part will be replaced.
- Cracks or another damages of the cover/housing parts can be caused by the product transportation or manipulation and also ageing process may influence materials.

TROUBLESHOOTING

Problems	Possible causes	Checks and remedies
Product doesn't power ON	• Battery Depletion	• The battery may be discharged: Check the battery charge level. If low, refer to the purchased battery's manual for charging instructions and recharge as necessary.
	• No power to the product	• Check that power is switched ON and cables are plugged in.
	• Cable Connections	• Inspect all cables for signs of wear or damage, and replace if necessary.
	• Internal fault	• Contact the PROLIGHTS Service or authorized service partner. Do not remove parts and/or covers, or carry out any repairs or service that are not described in this Safety and User Manual unless you have both authorization from PROLIGHTS and the service documentation.

The product does not communicate properly with the fixtures.	<ul style="list-style-type: none"> • Check DMX Cable Connection 	<ul style="list-style-type: none"> • The DMX cable may not be connected properly or could be damaged: Ensure the DMX cable is securely connected between the EdgeGo and the fixture. Inspect the cable for any signs of wear or damage and replace it if necessary.
	<ul style="list-style-type: none"> • Verify CRMX Link Status 	<ul style="list-style-type: none"> • If using wireless communication via CRMX, the fixtures may not be properly linked: Check that the fixtures are correctly linked to the EdgeGo's CRMX transmitter. Re-link them if necessary by following the CRMX linking procedure in the EdgeGo manual.
	<ul style="list-style-type: none"> • Ensure DMX Output from EdgeGo 	<ul style="list-style-type: none"> • The EdgeGo might not be outputting a DMX signal: Confirm that the EdgeGo is configured to output DMX. Navigate to the DMX output settings and verify that the signal is active and being transmitted.
	<ul style="list-style-type: none"> • No signal output 	<ul style="list-style-type: none"> • Ensure that the fixtures are powered on and operational.



PROLIGHTS is a trademark of
MUSIC & LIGHTS S.r.l.
musiclights.it

Via A.Olivetti snc
04026 - Minturno (LT) ITALY
Tel: +39 0771 72190

prolights.it
support@prolights.it