

DMX CHARTS

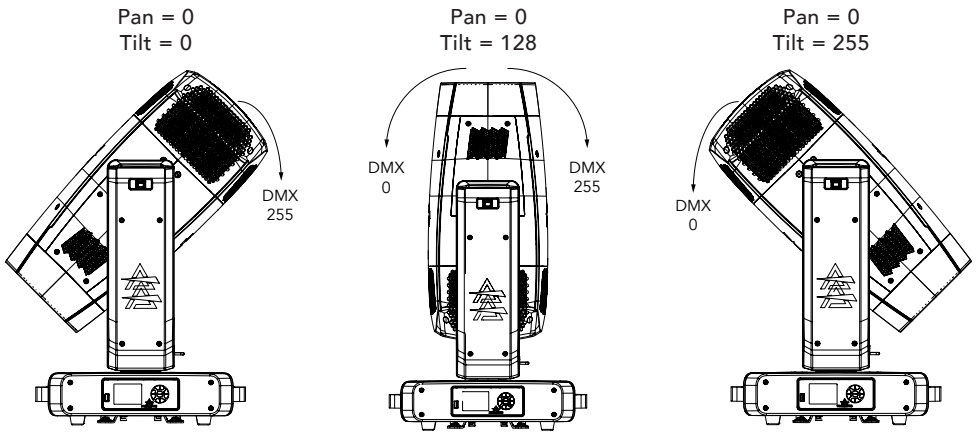
RDM Personality ID List

ID	DMX Mode	Footprint
1	BASIC CTC	43
2	STANDARD	49
3	ADVANCED	48
4	RAW	54

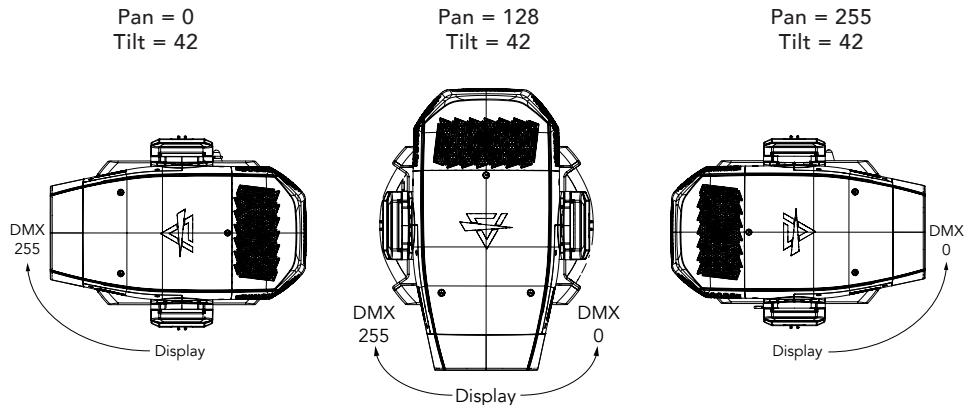
RDM Model ID

0xD169

PAN/TILT POSITION RELATED TO DMX VALUES

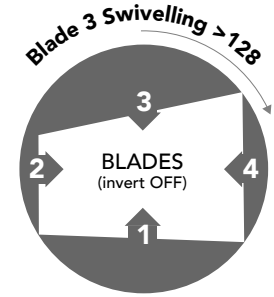
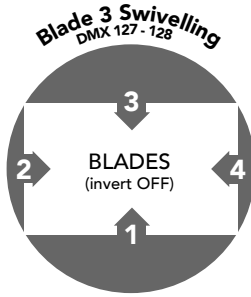
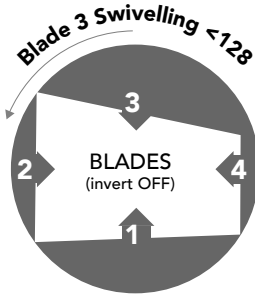
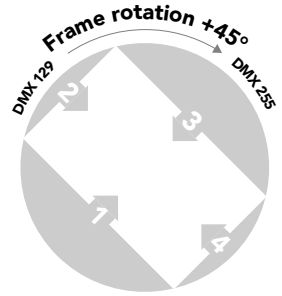
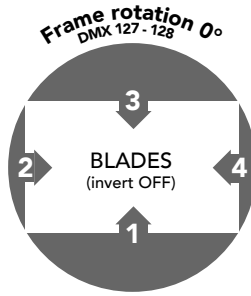
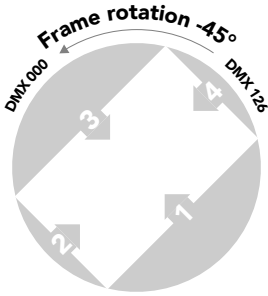


Tilt movement range: 270°
Pan movement range: 540°



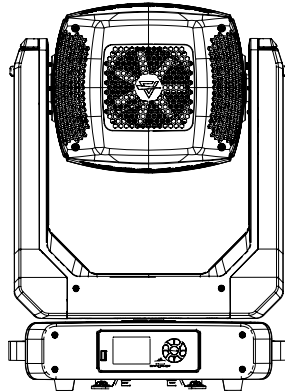
BLADES BEHAVIOUR

Check Below image for all the informations about the profile module



PROJECTION ON THE WALL

Fixture with
PAN/TILT channels @
PAN @50% - DMX128
TILT @ 84% - DMX 214



DMX Chart Summary

Function	DMX MODE				
	BASIC CTC	STANDARD RGB	STANDARD CMY	ADVANCED	RAW
	43	49	49	48	54
Pan	1	1	1	1	1
Pan fine	2	2	2	2	2
Tilt	3	3	3	3	3
Tilt fine	4	4	4	4	4
Dimmer	5	5	5	5	5
Dimmer Fine	6	6	6	6	6
Shutter	7	7	7	7	7
Cyan	-	-	8	-	-
Cyan fine	-	-	9	-	-
Magenta	-	-	10	-	-
Magenta fine	-	-	11	-	-
Yellow	-	-	12	-	-
Yellow fine	-	-	13	-	-
Red	-	8	-	-	8
Red fine	-	9	-	-	9
Green	-	10	-	-	10
Green fine	-	11	-	-	11
Blue	-	12	-	-	12
Blue fine	-	13	-	-	13
Cyan	-	-	-	-	14
Cyan fine	-	-	-	-	15
Amber	-	-	-	-	16
Amber fine	-	-	-	-	17
Lime	-	-	-	-	18
Lime fine	-	-	-	-	19
X	-	-	-	8	-
X fine	-	-	-	9	-
Y	-	-	-	10	-
Y fine	-	-	-	11	-
XFade CTC>COLOR	-	14	14	12	20
CCT 16 bit	8	15	15	13	21
	9	16	16	14	22
GMP	10	17	17	15	23
CRI	11	18	18	16	24

DMX Chart Summary

Function	DMX MODE				
	BASIC CTC	STANDARD RGB	STANDARD CMY	ADVANCED	RAW
	43	49	49	48	54
Virtual Colors	-	19	19	-	-
GEL category	12	-	-	17	-
GEL filter	13	-	-	18	-
Color Wheel	14	20	20	19	25
Rot Gobo Wheel 1	15	21	21	20	26
Gobo Rot 1	16	22	22	21	27
Gobo Rot Fine 1	17	23	23	22	28
Rot Gobo Wheel 2	18	24	24	23	29
Gobo Rot 2	19	25	25	24	30
Gobo Rot Fine 2	20	26	26	25	31
Prism 1	21	27	27	26	32
Prism 1 Index/Rotation	22	28	28	27	33
Frost	23	29	29	28	34
Iris	24	30	30	29	35
Iris Fine	25	31	31	30	36
Zoom	26	32	32	31	37
Zoom Fine	27	33	33	32	38
Focus	28	34	34	33	39
Focus Fine	29	35	35	34	40
Animation Insertion	30	36	36	35	41
Animation Rotation	31	37	37	36	42
Blade 1 position	32	38	38	37	43
Blade 1 swivelling	33	39	39	38	44
Blade 2 position	34	40	40	39	45
Blade 2 swivelling	35	41	41	40	46
Blade 3 position	36	42	42	41	47
Blade 3 swivelling	37	43	43	42	48
Blade 4 position	38	44	44	43	49
Blade 4 swivelling	39	45	45	44	50
Frame rotation	40	46	46	45	51
Frame macros	41	47	47	46	52
Frame macros speed	42	48	48	47	53
Control (hold 3 seconds)	43	49	49	48	54

DMX MODE					Name	Function	DMX		Default
BASIC CTC	STANDARD		ADV	RAW			FROM	TO	
	RGB	CMY							
43	49	49	48	54					
1	1	1	1	1	Pan	Pan movement	0	255	128
2	2	2	2	2	Pan fine	Fine pan movement	0	255	0
3	3	3	3	3	Tilt	Tilt movement	0	255	128
4	4	4	4	4	Tilt fine	Fine tilt movement	0	255	0
5	5	5	5	5	Dimmer	Dimmer intensity 0 – 100%	0	255	0
6	6	6	6	6	Dimmer Fine	Fine dimming	0	255	0
7	7	7	7	7	Shutter	Open	0	1	0
						Strobe from slow to fast	2	62	
						Open	63	64	
						Pulse in from slow to fast	65	125	
						Close	126	127	
						Pulse out from slow to fast	128	188	
						Open	189	190	
						Randon from slow to fast	191	251	
Open	252	255							
-	-	8	-	-	Cyan	Linear saturation 0 – 100%	0	255	0
-	-	9	-	-	Cyan fine	Cyan fine tuning	0	255	0
-	-	10	-	-	Magenta	Linear saturation 0 – 100%	0	255	0
-	-	11	-	-	Magenta fine	Magenta fine tuning	0	255	0
-	-	12	-	-	Yellow	Linear saturation 0 – 100%	0	255	0
-	-	13	-	-	Yellow fine	Yellow fine tuning	0	255	0
-	8	-	-	8	Red	Linear saturation 0 – 100%	0	255	0
-	9	-	-	9	Red fine	Red fine tuning	0	255	0
-	10	-	-	10	Green	Linear saturation 0 – 100%	0	255	0
-	11	-	-	11	Green fine	Green fine tuning	0	255	0
-	12	-	-	12	Blue	Linear saturation 0 – 100%	0	255	0
-	13	-	-	13	Blue fine	Blue fine tuning	0	255	0
-	-	-	-	14	Cyan	Linear saturation 0 – 100%	0	255	0
-	-	-	-	15	Cyan fine	Cyan fine tuning	0	255	0
-	-	-	-	16	Amber	Linear saturation 0 – 100%	0	255	0
-	-	-	-	17	Amber fine	Amber fine tuning	0	255	0
-	-	-	-	18	Lime	Linear saturation 0 – 100%	0	255	0
-	-	-	-	19	Lime fine	Lime fine tuning	0	255	0
-	-	-	8	-	X	Linear 0.000 to 0.735	0	255	0
-	-	-	9	-	X fine	X fine tuning	0	255	0
-	-	-	10	-	Y	Linear 0.000 to 0.835	0	255	0
-	-	-	11	-	Y fine	Y fine tuning	0	255	0
-	14	14	12	20	XFade CTC>COLOR	Linear Crossfade	0	255	255
8	15	15	13	21	CCT 16 bit	(See full list in pag. 35)			0
						2.200k	0	0	
9	16	16	14	22		Linear from 2.200K to 15.000K	1	254	0
						15.000k	255	255	

DMX MODE					Name	Function	DMX		Default
BASIC	STANDARD		ADV	RAW			FROM	TO	
CTC	RGB	CMY							
43	49	49	48	54					
10	17	17	15	23	GMP	Neutral / No Effect	0	1	0
						Full Minus Green	2	3	
						-99% to -1%	4	126	
						Neutral / No Effect	127	128	
						1% to 99%	129	253	
						254	255		
11	18	18	16	24	CRI	LED mode setting from menu	0	1	0
						High Output - Lower CRI	2	3	
						Linearly increase CRI	4	253	
						Lower Output - High CRI	254	255	
-	19	19	-	-	Virtual Colors (pag. 38)	No Function	0	1	0
						Colors	2	135	
						Reserved	136	209	
						Whites	210	253	
						Full On	254	255	
12	-	-	17	-	GEL category	No function	0	9	0
						LEE: Color correction	10	19	
						LEE: Color Filters	20	29	
						LEE: 600 Series	30	39	
						LEE: Cosmetic Filters	40	49	
						LEE: 700 Series	50	59	
						RC: Color correction	60	69	
						RC: CaC	70	79	
						RC: StSelection	80	89	
						RC: C-Lux	90	99	
						Blackout	100	109	
Reserved	110	255							
13	-	-	18	-	GEL filter	(See full list in pag. 40)	0	255	
14	20	20	19	25	Color Wheel	Color Positioning		0	
						Open	0		
						Open + Dark Red	1 25		
						Dark Red	26		
						Dark Red + Dark Green	27 51		
						Dark Green	52		
						Dark Green + Dark Magenta	53 77		
						Dark Magenta	78		
						Dark Magenta + Dark Yellow	79 103		
						Dark Yellow	104		
						Dark Yellow + Dark Blue	105 129		
						Dark Blue	130		
						Dark Blue + Open	131 155		
						Open	156 159		

DMX MODE					Name	Function	DMX		Default
BASIC CTC	STANDARD		ADV	RAW			FROM	TO	
	RGB	CMY							
43	49	49	48	54					
14	20	20	19	25	Color Wheel	Color Slot			0
						Open	160	165	
						Dark Red	166	171	
						Dark Green	172	177	
						Dark Magenta	178	183	
						Dark Yellow	184	189	
						Dark Blue	190	199	
						Color Wheel Rotation			
						Forward rainbow - Fast to slow	200	224	
						No rotation	225	230	
						Backwards rainbow - Slow to fast	231	255	
15	21	21	20	26	Rot Gobo Wheel 1	Open	0	13	0
						Gobo Indexing (set next ch)			
						Gobo 1	14	18	
						Gobo 2	19	23	
						Gobo 3	24	28	
						Gobo 4	29	33	
						Gobo 5	34	38	
						Gobo 6	39	43	
						Gobo Rotation (set next ch)			
						Gobo 1	44	48	
						Gobo 2	49	53	
						Gobo 3	54	58	
						Gobo 4	59	63	
						Gobo 5	64	68	
						Gobo 6	69	73	
						Gobo shaking - Slow to fast			
						Gobo Shake 1	74	93	
						Gobo Shake 2	94	113	
						Gobo Shake 3	114	133	
						Gobo Shake 4	134	153	
						Gobo Shake 5	154	173	
						Gobo Shake 6	174	193	
						Gobo Wheel Rotation			
						Forward wheel rotation - Fast to slow	194	223	
						No rotation	224	225	
						Backwards wheel rotation - Slow to fast	226	255	

DMX MODE					Name	Function	DMX		Default
BASIC	STANDARD		ADV	RAW			FROM	TO	
CTC	RGB	CMY							
43	49	49	48	54					
16	22	22	21	27	Gobo Rot 1	Gobo Indexing		128	
						Gobo index 0° - 360°	0		255
						Gobo Rotation		0	
						No rotation	0		0
						Forward gobo rotation - Fast to slow	1		127
No rotation	128	128							
						129	255		
17	23	23	22	28	Gobo Rot Fine 1	Fine indexing/rotation	0	255	0
18	24	24	23	29	Rot Gobo Wheel 2	Open	0	13	0
						Gobo Indexing			
						Gobo 1	14	18	
						Gobo 2	19	23	
						Gobo 3	24	28	
						Gobo 4	29	33	
						Gobo 5	34	38	
						Gobo 6	39	43	
						Gobo Rotation (set next ch)			
						Gobo 1	44	48	
						Gobo 2	49	53	
						Gobo 3	54	58	
						Gobo 4	59	63	
						Gobo 5	64	68	
						Gobo 6	69	73	
						Gobo Rotation (set next ch)			
						Gobo Shake 1	74	93	
						Gobo Shake 2	94	113	
						Gobo Shake 3	114	133	
						Gobo Shake 4	134	153	
						Gobo Shake 5	154	173	
						Gobo Shake 6	174	193	
						Gobo Rotation (set next ch)			
						Forward wheel rotation - Fast to slow	194	223	
						No rotation	224	225	
Backwards wheel rotation - Slow to fast	226	255							
19	25	25	24	30	Gobo Rot 2	Gobo Indexing		128	
						Gobo index 0° - 360°	0		255
						Gobo Rotation		0	
						No rotation	0		0
						Forward gobo rotation - Fast to slow	1		127
No rotation	128	128							
						129	255		

DMX MODE					Name	Function	DMX		Default
BASIC	STANDARD		ADV	RAW			FROM	TO	
CTC	RGB	CMY							
43	49	49	48	54					
20	26	26	25	31	Gobo Rot Fine 2	Fine indexing/rotation	0	255	0
21	27	27	26	32	Prism 1	Open	0	29	0
						Prism Indexing (set next ch)	30	59	
						Prism Rotation (set next ch)	60	89	
						Reserved	90	255	
22	28	28	27	33	Prism 1 Index/ Rotation	Prism Indexing		0	
						Prism Indexing	0		255
						Prism Rotation			
						Prism No Rotation	0		0
						Prism forward rotation fast to slow	1		127
						Prism No Rotation	128		128
Prism backwards rotation slow to fast	129	255							
23	29	29	28	34	Frost	Linear insertion 0 – 100%	0	255	0
24	30	30	29	35	Iris	Open	0	0	0
						Max to min diameter	1	127	
						Closed	128	129	
						Pulse close slow to fast	130	154	
						Pulse open slow to fast	155	179	
						Random pulse closing slow to fast	180	204	
						Random pulse opening slow to fast	205	229	
						Reserved	230	255	
25	31	31	30	36	Iris Fine	Iris fine movement	0	255	0
26	32	32	31	37	Zoom	Zoom from min to max beam angle	0	255	128
27	33	33	32	38	Zoom Fine	Fine zooming	0	255	0
28	34	34	33	39	Focus	Focus adjustment	0	255	128
29	35	35	34	40	Focus Fine	Fine focusing	0	255	0
30	36	36	35	41	Animation Insertion	Linear insertion from 0% to 100%	0	255	0
31	37	37	36	42	Animation Rotation	Indexing	0	127	0
						Forward rotation - Fast to slow	128	190	0
						Stop	191	192	0
						Backwards rotation - Slow to fast	193	255	0
32	38	38	37	43	Blade 1 position	Movement from outward to inward	0	255	0
33	39	39	38	44	Blade 1 swivelling	Swivelling from -30° towards 0°	0	127	128
						0 degrees	128	128	
						Swivelling from 0° towards +30°	129	255	
34	40	40	39	45	Blade 2 position	Movement from outward to inward	0	255	0
35	41	41	40	46	Blade 2 swivelling	Swivelling from -30° towards 0°	0	127	128
						0 degrees	128	128	
						Swivelling from 0° towards +30°	129	255	

DMX MODE					Name	Function	DMX		Default
BASIC	STANDARD		ADV	RAW			FROM	TO	
CTC	RGB	CMY							
43	49	49	48	54					
36	42	42	41	47	Blade 3 position	Movement from outward to inward	0	255	0
37	43	43	42	48	Blade 3 swivelling	Swivelling from -30° towards 0°	0	127	128
						0 degrees	128	128	
						Swivelling from 0° towards +30°	129	255	
38	44	44	43	49	Blade 4 position	Movement from outward to inward	0	255	0
39	45	45	44	50	Blade 4 swivelling	Swivelling from -30° towards 0°	0	127	128
						0 degrees	128	128	
						Swivelling from 0° towards +30°	129	255	
40	46	46	45	51	Frame rotation	-45 degrees to 0 degrees	0	126	128
						0 degrees	127	128	
						0 degrees to +45 degrees	129	255	
41	47	47	46	52	Frame macros	No Function	0	3	0
						Macro 1	4	10	
						Macro 2	11	17	
						Macro 3	18	24	
						Macro 4	25	31	
						Macro 5	32	38	
						Macro 6	39	45	
						Macro 7	46	52	
						Macro 8	53	59	
						Macro 9	60	66	
						Macro 10	67	73	
						Macro 11	74	80	
						Macro 12	81	87	
						Macro 13	88	94	
						Macro 14	95	101	
						Macro 15	102	108	
						Macro 16	109	115	
						Macro 17	116	122	
						Macro 18	123	129	
						Macro 19	130	136	
						Macro 20	137	143	
						Macro 21	144	150	
						Macro 22	151	157	
						Macro 23	158	164	
						Macro 24	165	171	
						Macro 25	172	178	
						Macro 26	179	185	
						Macro 27	186	192	
Macro 28	193	199							

DMX MODE					Name	Function	DMX		Default
BASIC	STANDARD		ADV	RAW			FROM	TO	
CTC	RGB	CMY							
43	49	49	48	54					
41	47	47	46	52	Frame macros	Macro 29	200	206	0
						Macro 30	207	213	
						Macro 31	214	220	
						Macro 32	221	227	
						Macro 33	228	234	
						Macro 34	235	241	
						Macro 35	242	248	
					Macro 36	249	255		
42	48	48	47	53	Frame macros speed	Lineary from 0 to 100%	0	255	0
43	49	49	48	54	Control	No Function/Safe	0	1	0
						<i>(See full list in pag. 45)</i>	2	251	
						Factory default of control functions	252	253	
						Reserved	254	255	

CCT FROM 2200K TO 15000K

CCT from	CCT to	8 bit value		16 bit value		Note
		From	To	From	To	
2200	2300	0	2	0	767	Default @ 0
2300	2400	2	4	512	1279	
2400	2500	4	6	1024	1791	
2500	2600	6	8	1536	2303	
2600	2700	8	10	2048	2815	
2700	2800	10	12	2560	3327	
2800	2900	12	14	3072	3839	
2900	3000	14	16	3584	4351	
3000	3100	16	18	4096	4863	
3100	3200	18	20	4608	5375	
3200	3300	20	22	5120	5887	
3300	3400	22	24	5632	6399	
3400	3500	24	26	6144	6911	
3500	3600	26	28	6656	7423	
3600	3700	28	30	7168	7935	
3700	3800	30	32	7680	8447	
3800	3900	32	34	8192	8959	
3900	4000	34	36	8704	9471	
4000	4100	36	38	9216	9983	
4100	4200	38	40	9728	10495	
4200	4300	40	42	10240	11007	
4300	4400	42	44	10752	11519	
4400	4500	44	46	11264	12031	
4500	4600	46	48	11776	12543	
4600	4700	48	50	12288	13055	
4700	4800	50	52	12800	13567	
4800	4900	52	54	13312	14079	
4900	5000	54	56	13824	14591	
5000	5100	56	58	14336	15103	
5100	5200	58	60	14848	15615	
5200	5300	60	62	15360	16127	
5300	5400	62	64	15872	16639	
5400	5500	64	66	16384	17151	
5500	5600	66	68	16896	17663	
5600	5700	68	70	17408	18175	
5700	5800	70	72	17920	18687	
5800	5900	72	74	18432	19199	
5900	6000	74	76	18944	19711	
6000	6100	76	78	19456	20223	
6100	6200	78	80	19968	20735	
6200	6300	80	82	20480	21247	
6300	6400	82	84	20992	21759	
6400	6500	84	86	21504	22271	
6500	6600	86	88	22016	22783	
6600	6700	88	90	22528	23295	
6700	6800	90	92	23040	23807	
6800	6900	92	94	23552	24319	
6900	7000	94	96	24064	24831	
7000	7100	96	98	24576	25343	
7100	7200	98	100	25088	25855	

CCT FROM 2200K TO 15000K

CCT from	CCT to	8 bit value		16 bit value		Note
		From	To	From	To	
7200	7300	100	102	25600	26367	
7300	7400	102	104	26112	26879	
7400	7500	104	106	26624	27391	
7500	7600	106	108	27136	27903	
7600	7700	108	110	27648	28415	
7700	7800	110	112	28160	28927	
7800	7900	112	114	28672	29439	
7900	8000	114	116	29184	29951	
8000	8100	116	118	29696	30463	
8100	8200	118	120	30208	30975	
8200	8300	120	122	30720	31487	
8300	8400	122	124	31232	31999	
8400	8500	124	126	31744	32511	
8500	8600	126	128	32256	33023	
8600	8700	128	129	32768	33279	
8700	8800	129	131	33024	33791	
8800	8900	131	133	33536	34303	
8900	9000	133	135	34048	34815	
9000	9100	135	137	34560	35327	
9100	9200	137	139	35072	35839	
9200	9300	139	141	35584	36351	
9300	9400	141	143	36096	36863	
9400	9500	143	145	36608	37375	
9500	9600	145	147	37120	37887	
9600	9700	147	149	37632	38399	
9700	9800	149	151	38144	38911	
9800	9900	151	153	38656	39423	
9900	10000	153	155	39168	39935	
10000	10100	155	157	39680	40447	
10100	10200	157	159	40192	40959	
10200	10300	159	161	40704	41471	
10300	10400	161	163	41216	41983	
10400	10500	163	165	41728	42495	
10500	10600	165	167	42240	43007	
10600	10700	167	169	42752	43519	
10700	10800	169	171	43264	44031	
10800	10900	171	173	43776	44543	
10900	11000	173	175	44288	45055	
11000	11100	175	177	44800	45567	
11100	11200	177	179	45312	46079	
11200	11300	179	181	45824	46591	
11300	11400	181	183	46336	47103	
11400	11500	183	185	46848	47615	
11500	11600	185	187	47360	48127	
11600	11700	187	189	47872	48639	
11700	11800	189	191	48384	49151	
11800	11900	191	193	48896	49663	
11900	12000	193	195	49408	50175	
12000	12100	195	197	49920	50687	
12100	12200	197	199	50432	51199	

CCT FROM 2200K TO 15000K

CCT from	CCT to	8 bit value		16 bit value		Note
		From	To	From	To	
12200	12300	199	201	50944	51711	
12300	12400	201	203	51456	52223	
12400	12500	203	205	51968	52735	
12500	12600	205	207	52480	53247	
12600	12700	207	209	52992	53759	
12700	12800	209	211	53504	54271	
12800	12900	211	213	54016	54783	
12900	13000	213	215	54528	55295	
13000	13100	215	217	55040	55807	
13100	13200	217	219	55552	56319	
13200	13300	219	221	56064	56831	
13300	13400	221	223	56576	57343	
13400	13500	223	225	57088	57855	
13500	13600	225	227	57600	58367	
13600	13700	227	229	58112	58879	
13700	13800	229	231	58624	59391	
13800	13900	231	233	59136	59903	
13900	14000	233	235	59648	60415	
14000	14100	235	237	60160	60927	
14100	14200	237	239	60672	61439	
14200	14300	239	241	61184	61951	
14300	14400	241	243	61696	62463	
14400	14500	243	245	62208	62975	
14500	14600	245	247	62720	63487	
14600	14700	247	249	63232	63999	
14700	14800	249	251	63744	64511	
14800	14900	251	253	64256	65023	
14900	15000	253	255	64768	65535	

Virtual colors

Function	8 bit value		16 bit value		Note
	From	To	From	To	
No Function	0	1	-	-	Default @ 0
Red	2	3	-	-	
Green	4	5	-	-	
Blue	6	7	-	-	
Cyan	8	9	-	-	
Magenta	10	11	-	-	
Yellow	12	13	-	-	
Dirty White	14	15	-	-	
Alice Blue	16	17	-	-	
Congo Blue	18	19	-	-	
Dark Steel Blue	20	21	-	-	
Deep Lavender	22	23	-	-	
Lilac Ting	24	25	-	-	
Daylight Blue	26	27	-	-	
Flame Red	28	29	-	-	
Bastard Amber	30	31	-	-	
Deep Orange	32	33	-	-	
Pale Gold	34	35	-	-	
Apricot	36	37	-	-	
Bright Blue	38	39	-	-	
Primary Green	40	41	-	-	
Special Lavender	42	43	-	-	
Pale Lavender	44	45	-	-	
Deep Golden Amber	46	47	-	-	
Medium Blue	48	49	-	-	
Bright Pink	50	51	-	-	
Mauve	52	53	-	-	
Dark Green	54	55	-	-	
Lee Green	56	57	-	-	
Dark Blue	58	59	-	-	
Light Blue	60	61	-	-	
Steel Blue	62	63	-	-	
Medium Blue-Green	64	65	-	-	
Peacock Blue	66	67	-	-	
Magenta	68	69	-	-	
Dark Pink	70	71	-	-	
Middle Rose	72	73	-	-	
Light Salmon	74	75	-	-	
English Rose	76	77	-	-	
Light Rose	78	79	-	-	
Orange	80	81	-	-	
Deep Amber	82	83	-	-	
Straw	84	85	-	-	
Light Amber	86	87	-	-	
Spring Yellow	88	89	-	-	
Dark Yellow Green	90	91	-	-	
Just Blue	92	93	-	-	
Sky Blue	94	95	-	-	
Lavender	96	97	-	-	
Light Lavender	98	99	-	-	

Virtual colors

Function	8 bit value		16 bit value		Note
	From	To	From	To	
Pink Carnation	100	101	-	-	
Medium Pink	102	103	-	-	
Light Pink	104	105	-	-	
Sunset Red	106	107	-	-	
Dark Amber	108	109	-	-	
Gold Amber	110	111	-	-	
Medium Amber	112	113	-	-	
Fire	114	115	-	-	
Surprise Peach	116	117	-	-	
Straw Tint	118	119	-	-	
Medium Yellow	120	121	-	-	
Lee Minus Green	122	123	-	-	
Pale Gold	124	125	-	-	
Orange	126	127	-	-	
Deep Straw	128	129	-	-	
Rose Purple	130	131	-	-	
Deep Purple	132	133	-	-	
Soft Green	134	135	-	-	
Reserved For Future Use	136	209	-	-	
2700K	210	211	-	-	
2800K	212	213	-	-	
3000K	214	215	-	-	
3200K	216	217	-	-	
3400K	218	219	-	-	
3600K	220	221	-	-	
3800K	222	223	-	-	
4000K	224	225	-	-	
4200K	226	227	-	-	
4400K	228	229	-	-	
4600K	230	231	-	-	
4800K	232	233	-	-	
5000K	234	235	-	-	
5200K	236	237	-	-	
5400K	238	239	-	-	
5600K	240	241	-	-	
6000K	242	243	-	-	
6500K	244	245	-	-	
7000K	246	247	-	-	
8000K	248	249	-	-	
9000K	250	251	-	-	
10000K	252	253	-	-	
Full On	254	255	-	-	

Category | Lee: Color Correction

Function Gel Name	8 bit value		Gel #
	From	To	
Double CTB	0	1	200
Full CTB	2	3	201
3/4 CTB	4	5	281
1/2 CTB	6	7	202
1/4 CTB	8	9	203
1/8 CTB	10	11	218
Double CTO	12	13	287
Full CTO	14	15	204
3/4 CTO	16	17	285
1/2 CTO	18	19	205
1/4 CTO	20	21	206
1/8 CTO	22	23	223
1 1/2 CTB	24	25	283
1 1/2 CTO	26	27	286
Full CTS	28	29	441
1/2 CTS	30	31	442
1/4 CTS	32	33	443
1/8 CTS	34	35	444
Full CTO + .3 ND	36	37	207
Full CTO + .6 ND	38	39	208
L.C.T. Yellow (Y1)	40	41	212
White Flame Green	42	43	213
LEE Fluorescent Green	44	45	219
Super Correction L.C.T. Yellow	46	47	230
Super Correction W.F. Green	48	49	232
H.M.I. (to Tungsten)	50	51	236
C.I.D. (to Tungsten)	52	53	237
C.S.I. (to Tungsten)	54	55	238
LEE Fluorescent 5700 Kelvin	56	57	241
LEE Fluorescent 4300 Kelvin	58	59	242
LEE Fluorescent 3600 Kelvin	60	61	243
LEE Plus Green	62	63	244
1/2 Plus Green	64	65	245
1/4 Plus Green	66	67	246
1/8 Plus Green	68	69	278
Lee Minus Green	70	71	247
1/2 Minus Green	72	73	248
1/4 Minus Green	74	75	249
1/8 Minus Green	76	77	279
Blackout	78	79	-
Reserved	80	255	-

Category | Lee: Color Filters

Function Gel Name	8 bit value		Gel #
	From	To	
Rose Pink	0	1	2
Lavender Tint	2	3	3
Medium Bastard Amber	4	5	4
Pale Yellow	6	7	7
Dark Salmon	8	9	8
Pale Amber Gold	10	11	9
Medium Yellow	12	13	10
Straw Tint	14	15	13
Surprise Peach	16	17	17
Fire	18	19	19
Medium Amber	20	21	20
Gold Amber	22	23	21
Dark Amber	24	25	22
Scarlet	26	27	24
Sunset Red	28	29	25
Bright Red	30	31	26
Light Pink	32	33	35
Medium Pink	34	35	36
Dark Magenta	36	37	46
Rose Purple	38	39	48
Light Lavender	40	41	52
Paler Lavender	42	43	53
Lavender	44	45	58
Mist Blue	46	47	61
Pale Blue	48	49	63
Sky Blue	50	51	68
Evening Blue	52	53	75
Just Blue	54	55	79
Deeper Blue	56	57	85
Lime Green	58	59	88
Moss Green	60	61	89
Dark Yellow Green	62	63	90
Spring Yellow	64	65	100
Yellow	66	67	101
Light Amber	68	69	102
Straw	70	71	103
Deep Amber	72	73	104
Primary Red	74	75	106
Light Rose	76	77	107
English Rose	78	79	108
Light Salmon	80	81	109
Middle Rose	82	83	110
Dark Pink	84	85	111
Magenta	86	87	113
Peacock Blue	88	89	115
Steel Blue	90	91	117
Light Blue	92	93	118
Deep Blue	94	95	120
LEE Green	96	97	121
Fern Green	98	99	122
Dark Green	100	101	124

Category | Lee: Color Filters

Function Gel Name	8 bit value		Gel #
	From	To	
Smokey Pink	102	103	127
Bright Pink	104	105	128
Marine Blue	106	107	131
Golden Amber	108	109	134
Deep Golden Amber	110	111	135
Pale Lavender	112	113	136
Special Lavender	114	115	137
Pale Green	116	117	138
Summer Blue	118	119	140
Pale Violet	120	121	142
Pale Navy Blue	122	123	143
No Color Blue	124	125	144
Apricot	126	127	147
Bright Rose	128	129	148
Gold Tint	130	131	151
Pale Gold	132	133	152
Pale Salmon	134	135	153
Pale Rose	136	137	154
Chocolate	138	139	156
Pink	140	141	157
No Color Straw	142	143	159
Slate Blue	144	145	161
Bastard Amber	146	147	162
Flame Red	148	149	164
Daylight Blue	150	151	165
Lilac Tint	152	153	169
Deep Lavender	154	155	170
Dark Steel Blue	156	157	174
Loving Amber	158	159	176
Dark Lavender	160	161	180
Light Red	162	163	182
Flesh Pink	164	165	192
Surprise Pink	166	167	194
Zenith Blue	168	169	195
True Blue	170	171	196
Alice Blue	172	173	197
Palace Blue	174	175	198
Regal Blue	176	177	199
Blackout	178	179	-
Reserved	180	255	-

Category | Lee: 600 Series

Function Gel Name	8 bit value		Gel #
	From	To	
Arctic White	0	1	600
Silver	2	3	601
Platinum	4	5	602
Moonlight White	6	7	603
Full CT 85	8	9	604
Industry Sodium	10	11	650
HI Sodium	12	13	651
Urban Sodium	14	15	652
LO Sodium	16	17	653
Blackout	18	19	-
Reserved	20	255	-

Category | Lee: Cosmetic Filters

Function Gel Name	8 bit value		Gel #
	From	To	
Cosmetic Peach	0	1	184
Cosmetic Silver Rose	2	3	186
Cosmetic Rouge	4	5	187
Cosmetic Highlight	6	7	188
Cosmetic Silver Moss	8	9	189
Cosmetic Aqua Blue	10	11	191
Lily Frost	12	13	705
Shanklin Frost	14	15	717
Half Shanklin Frost	16	17	718
Durham Daylight Frost	18	19	720
Hampshire Rose	20	21	749
Soft Amber Key 1	22	23	774
Soft Amber Key 2	24	25	775
Moroccan Frost	26	27	791
Blue Diffusion	28	29	217
Blue Frost	30	31	221
Daylight Blue Frost	32	33	224
Blackout	34	35	-
Reserved	36	255	-

Category | Lee: 700 Series

Function Gel Name	8 bit value		Gel #
	From	To	
Perfect Lavender	0	1	700
Provence	2	3	701
Special Pale Lavender	4	5	702
Cold Lavender	6	7	703
Lily	8	9	704
King Fals Lavender	10	11	706
Cool Lavender	12	13	708
Electric Lilac	14	15	709
Spir Special Blue	16	17	710
Cold Blue	18	19	711
Bedford Blue	20	21	712
Elysian Blue	22	23	714
Cabana Blue	24	25	715
Mikkel Blue	26	27	716
Colour Wash Blue	28	29	719
Berry Blue	30	31	721
Virgin Blue	32	33	723
Ocean Blue	34	35	724
Old Steel Blue	36	37	725
Steel Green	38	39	728
Liberty Green	40	41	730
Dirty Ice	42	43	731
Damp Squib	44	45	733
JAS Green	46	47	738
Bram Brown	48	49	742
Dirty White	50	51	744
Brown	52	53	746
Easy White	54	55	747
Seedy Pink	56	57	748
Wheat	58	59	763
Sun Colour Straw	60	61	764
LEE Yellow	62	63	765
Cardbox Amber	64	65	773
Nectarine	66	67	776
Millenium Gold	68	69	778
Bastard Pink	70	71	779
Terry Red	72	73	781
Blood Red	74	75	789
Moroccan Pink	76	77	790
Pretty n'Pink	78	79	794
Magical Magenta	80	81	795
Blackout	82	83	-
Reserved	84	255	-

Category | Rc: Color Correction

Function Gel Name	8 bit value		Gel #
	From	To	
Full CTB	0	1	3202
3/4 CTB	2	3	3203
1/2 CTB	4	5	3204
1/3 CTB	6	7	3206
1/4 CTB	8	9	3208
1/8 CTB	10	11	3216
Double CTB	12	13	3220
Full CTO	14	15	3407
3/4 CTO	16	17	3411
1/2 CTO	18	19	3408
1/4 CTO	20	21	3409
1/8 CTO	22	23	3410
Double CTO	24	25	3420
Full CTS	26	27	3441
1/2 CTS	28	29	3442
1/4 CTS	30	31	3443
1/8 CTS	32	33	3444
Full Plusgreen	34	35	3304
1/2 Plusgreen	36	37	3315
1/4 Plusgreen	38	39	3316
1/8 Plusgreen	40	41	3317
Full Minusgreen	42	43	3308
3/4 Minusgreen	44	45	3309
1/2 Minusgreen	46	47	3313
1/4 Minusgreen	48	49	3314
1/8 Minusgreen	50	51	3318
Fluorofilter	52	53	3310
Industrial Vapor	54	55	3150
Urban Vapor	56	57	3152
Tough Y-1	58	59	3107
Tough MT 54	60	61	3134
Tough MTY	62	63	3106
Tough MT2	64	65	3102
Blackout	66	67	-
Reserved	68	255	-

Category | Rc: CalC

Function Gel Name	8 bit value		Gel #
	From	To	
15 Blue	0	1	4215
30 Blue	2	3	4230
60 Blue	4	5	4260
90 Blue	6	7	4290
7 Cyan	8	9	4307
15 Cyan	10	11	4315
30 Cyan	12	13	4330
60 Cyan	14	15	4360
90 Cyan	16	17	4390
15 Green	18	19	4415
30 Green	20	21	4430
60 Green	22	23	4460
90 Green	24	25	4490
15 Yellow	26	27	4515
30 Yellow	28	29	4530
60 Yellow	30	31	4560
90 Yellow	32	33	4590
15 Red	34	35	4615
30 Red	36	37	4630
60 Red	38	39	4660
90 Red	40	41	4690
15 Magenta	42	43	4715
30 Magenta	44	45	4730
60 Magenta	46	47	4760
90 Magenta	48	49	4790
15 Pink	50	51	4815
30 Pink	52	53	4830
60 Pink	54	55	4860
90 Pink	56	57	4890
15 Lavender	58	59	4915
30 Lavender	60	61	4930
60 Lavender	62	63	4960
90 Lavender	64	65	4990
Blackout	66	67	-
Reserved	68	255	-

Category | Rc: StSelection

Function Gel Name	8 bit value		Gel #
	From	To	
VS Red	0	1	2001
VS Orange	2	3	2002
VS Yellow	4	5	2003
VS Green	6	7	2004
VS Cyan	8	9	2005
VS Azure	10	11	2006
VS Blue	12	13	2007
VS Indigo	14	15	2008
VS Violet	16	17	2009
VS Magenta	18	19	2010
Blackout	20	21	-
Reserved	22	255	-

Category | Rc: C-Lux

Function Gel Name	8 bit value		Gel #
	From	To	
Bastard Amber	0	1	2
Pale Bastard Amber	2	3	302
No Color Straw	4	5	6
Pale Gold	6	7	8
Daffodil	8	9	310
Straw	10	11	12
Light Amber	12	13	16
Gallo Gold	14	15	316
Light Flame	16	17	17
Flame	18	19	18
Mayan Sun	20	21	318
Golden Amber	22	23	21
Soft Golden Amber	24	25	321
Orange	26	27	23
Henny Sky	28	29	325
Light Red	30	31	26
No Color Pink	32	33	33
Blush Pink	34	35	333
Flesh Pink	36	37	34
Pale Rose Pink	38	39	37
Salmon	40	41	41
Deep Salmon	42	43	42
Middle Rose	44	45	44
Light Rose Purple	46	47	47
Surprise Pink	48	49	51
No Color Blue	50	51	60
Clearwater	52	53	360
Booster Blue	54	55	62
Tipton Blue	56	57	362
Blue Bell	58	59	364
Daylight Blue	60	61	65
Tharon Delft Blue	62	63	365
Cerulean Blue	64	65	375
Bermuda Blue	66	67	376
Green Blue	68	69	77
Alice Blue	70	71	378
Primary Blue	72	73	80
Baldassari Blue	74	75	381
Medium Blue	76	77	83
Pale Yellow Green	78	79	87
Light Green	80	81	88
Moss Green	82	83	89
Primary Green	84	85	91
Turquoise	86	87	92
Blue Green	88	89	93
Chocolate	90	91	99
Blackout	92	93	-
Reserved	94	255	-

Control Channel

Function		8 bit value		Note
		From	To	
No Function / Safe		0	1	Default @ 0 Hold 3s To Take Function
Pan	Reverse On	2	3	
	Reverse Off	4	5	
Tilt	Reverse On	6	7	
	Reverse Off	8	9	
Pan/Tilt Mode	Mode Fast	10	11	
	Mode Medium	12	13	
	Mode Slow	14	15	
Reserved		16	35	
Display Backlight	Always On	36	37	
	10s	38	39	
	20s	40	41	
	30s	42	43	
Flip Display	On	44	45	
	Off	46	47	
	Auto	48	49	
Key Lock	On	50	51	
	Off	52	53	
Reserved		54	59	
No Signal	Hold	60	61	
	Blackout	62	63	
Reserved		64	67	
Dimmer Curve	Linear	68	69	
	S-Curve	70	71	
	Square Law	72	73	
	Inverse Square Law	74	75	
	High Res@Low	76	77	
Dimmer Speed	Auto	78	79	
	Fast	80	81	
	Medium	82	83	
	Slow	84	85	
	Off	86	87	
Dimmer	Fade Off End	88	89	
	Snap Off End	90	91	
Spektra	On	92	93	
	Pure Colors	94	95	
	Off	96	97	
Led Mode	High Quality	98	99	
	High Brightness	100	101	
White Point	3200k	102	103	
	4000k	104	105	
	5600k	106	107	
	6000k	108	109	
	6500k	110	111	
	8000k	112	113	

Control Channel

Function		8 bit value		Note
		From	To	
Led Frequency	600hz	114	115	
	1200hz	116	117	
	2000hz	118	119	
	4000hz	120	121	
	6000hz	122	123	
	25khz	124	125	
Tungsten Emulation	50khz	126	127	
	On	128	129	
Color Mixing	Off	130	131	
	RGB	132	133	
Invert Zoom	CMY	134	135	
	Off	136	137	
Invert Blades	On	138	139	
	Off	140	141	
Fan Mode	On	142	143	
	Auto	144	145	
	High	146	147	
	Silent 1	148	149	
Reserved		150	151	
Reserved		152	199	
Reset	Reset All	200	201	
	Pan & Tilt	202	203	
	Zoom/Focus	204	205	
	Colors	206	207	
	Gobos/Animation	208	209	
	Effects	210	211	
All Blades		212	213	
Reserved		214	251	
Factory Default Of Control Functions		252	253	
Reserved		254	255	