

DMX CHARTS

RDM Personality ID List

| ID | DMX Mode | Footprint |
|----|----------|-----------|
| 1 | STANDARD | 43 |

RDM Model ID

0xA041

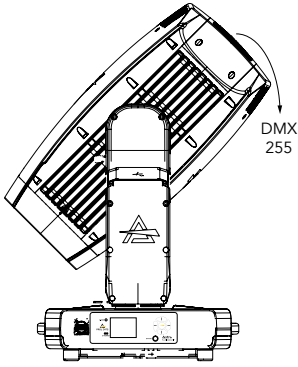
DMX Chart Summary

| Channel | STANDARD |
|---------|------------------------|
| 1 | Pan |
| 2 | Pan fine |
| 3 | Tilt |
| 4 | Tilt fine |
| 5 | Dimmer |
| 6 | Dimmer Fine |
| 7 | Shutter |
| 8 | Cyan |
| 9 | Magenta |
| 10 | Yellow |
| 11 | CTO Wheel |
| 12 | Color Wheel |
| 13 | Rot Gobo Wheel |
| 14 | Gobo Rot |
| 15 | Gobo Rot Fine |
| 16 | Fix Gobo Wheel 1 |
| 17 | Prism 1 Circular |
| 18 | Prism 1 Index/Rotation |
| 19 | Prism 2 Linear |
| 20 | Prism 2 Index/Rotation |
| 21 | Light Frost |
| 22 | Heavy Frost |

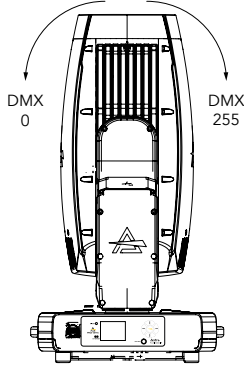
| Channel | STANDARD |
|---------|---------------------|
| 23 | Iris |
| 24 | Iris Fine |
| 25 | Zoom |
| 26 | Zoom Fine |
| 37 | Focus |
| 28 | Focus Fine |
| 29 | Animation Insertion |
| 30 | Animation Rotation |
| 31 | Blade 1 position |
| 32 | Blade 1 swivelling |
| 33 | Blade 2 position |
| 34 | Blade 2 swivelling |
| 35 | Blade 3 position |
| 36 | Blade 3 swivelling |
| 37 | Blade 4 position |
| 38 | Blade 4 swivelling |
| 39 | Frame rotation |
| 40 | Frame macros |
| 41 | Frame macros speed |
| 42 | Focus Tracking |
| 43 | Control |

PAN/TILT POSITION RELATED TO DMX VALUES

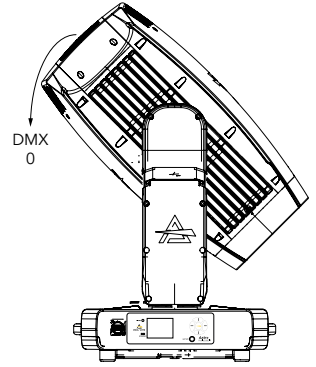
Pan = 0
Tilt = 0



Pan = 0
Tilt = 128

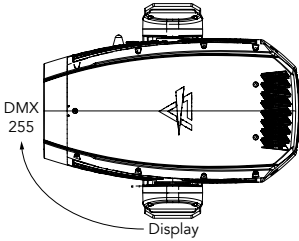


Pan = 0
Tilt = 255

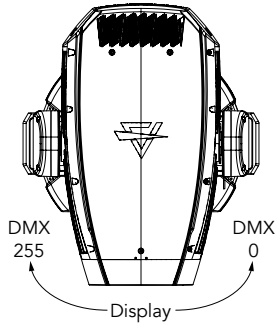


Tilt movement range: 260°
Pan movement range: 540°

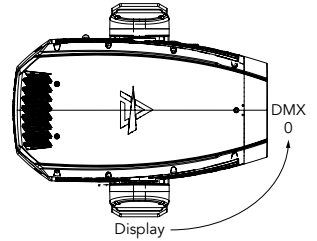
Pan = 0
Tilt = 42



Pan = 128
Tilt = 42

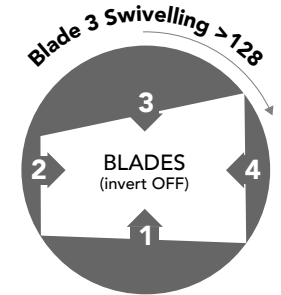
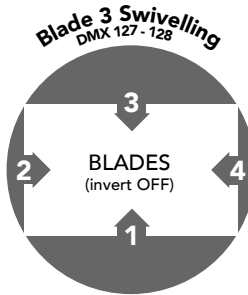
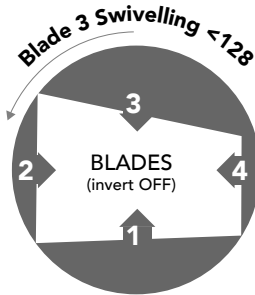
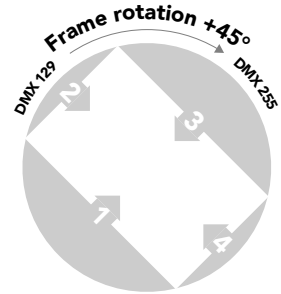
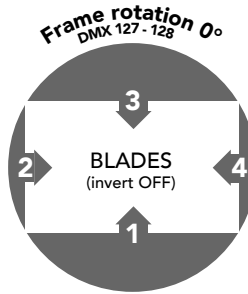
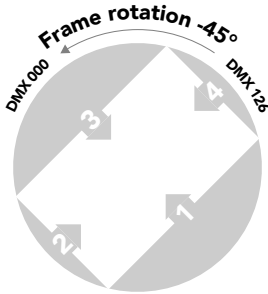


Pan = 255
Tilt = 42

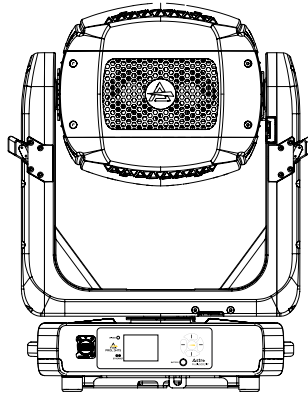


BLADES BEHAVIOUR

Check Below image for all the informations about the profile module



PROJECTION ON THE WALL



Fixture with
PAN/TILT channels @
PAN @ 50% - DMX 128
TILT @ 84% - DMX 214

FOCUS TRACKING

This function provides auto-adjustment of the focus during the zoom movement:

1. Select the function to be tracked via channel 42 ("Focus Tracking");
2. Focus the selected function at a narrow zoom (**NOTE: the zoom value must be less than 135**);
3. As you adjust the zoom, the focus will automatically follow, keeping the projection focused;
4. If you select a different function via channel 42 ("Focus Tracking"), the focus will automatically adjust to track the new selection.

| Channel STANDARD | Name | Function | DMX | | Default |
|------------------|---------------|-----------------------------|------|-----|---------|
| | | | From | To | |
| 1 | Pan | Pan movement | 0 | 255 | 128 |
| 2 | Pan fine | Fine pan movement | 0 | 255 | 0 |
| 3 | Tilt | Tilt movement | 0 | 255 | 128 |
| 4 | Tilt fine | Fine tilt movement | 0 | 255 | 0 |
| 5 | Dimmer | Dimmer intensity 0 – 100% | 0 | 255 | 0 |
| 6 | Dimmer Fine | Fine dimming | 0 | 255 | 0 |
| 7 | Shutter | Open | 0 | 1 | 0 |
| | | Strobe from slow to fast | 2 | 62 | |
| | | Open | 63 | 64 | |
| | | Pulse in from slow to fast | 65 | 125 | |
| | | Close | 126 | 127 | |
| | | Pulse out from slow to fast | 128 | 188 | |
| | | Open | 189 | 190 | |
| | | Randon from slow to fast | 191 | 251 | |
| | | Open | 252 | 255 | |
| 8 | Cyan Wheel | Open | 0 | 0 | 0 |
| | | Linear saturation 0 – 100% | 1 | 255 | |
| 9 | Magenta Wheel | Open | 0 | 0 | 0 |
| | | Linear saturation 0 – 100% | 1 | 255 | |
| 10 | Yellow Wheel | Open | 0 | 0 | 0 |
| | | Linear saturation 0 – 100% | 1 | 255 | |
| 11 | CTO Wheel | Open | 0 | 0 | 0 |
| | | Linear saturation 0 – 100% | 1 | 255 | |
| 12 | Color Wheel | Color Linear Movement | | | 0 |
| | | Open | 0 | 7 | |
| | | Open + Deep Red | 8 | 27 | |
| | | Deep Red | 28 | 28 | |
| | | Deep Red + Deep Yellow | 29 | 48 | |
| | | Deep Yellow | 49 | 49 | |
| | | Deep Yellow + High CRI | 50 | 69 | |
| | | High CRI | 70 | 70 | |
| | | High CRI + Full CTB | 71 | 90 | |
| | | Full CTB | 91 | 91 | |
| | | Full CTB + Forest Green | 92 | 111 | |
| | | Forest Green | 112 | 112 | |
| | | Forest Green + Dark Blue | 113 | 132 | |
| | | Dark Blue | 133 | 133 | |
| Dark Blue + Open | 134 | 153 | | | |
| Open | 154 | 159 | | | |

| Channel STANDARD | Name | Function | DMX | | Default |
|------------------|----------------|----------------------------------|------|-----|---------|
| | | | From | To | |
| 12 | Color Wheel | Color Slot | | | 0 |
| | | Open | 160 | 164 | |
| | | Deep Red | 165 | 169 | |
| | | Deep Yellow | 170 | 174 | |
| | | High CRI | 175 | 179 | |
| | | Full CTB | 180 | 184 | |
| | | Forest Green | 185 | 189 | |
| | | Dark Blue | 190 | 199 | |
| | | Color Wheel Rotation | | | |
| | | Forward rainbow - Fast to slow | 200 | 224 | |
| | | No rotation | 225 | 230 | |
| | | Backwards rainbow - Slow to fast | 231 | 255 | |
| 13 | Rot Gobo Wheel | Open | 0 | 4 | 0 |
| | | Gobo Indexing (set next ch) | | | |
| | | GOBO 1 | 5 | 10 | |
| | | GOBO 2 | 11 | 16 | |
| | | GOBO 3 | 17 | 22 | |
| | | GOBO 4 | 23 | 28 | |
| | | GOBO 5 | 29 | 34 | |
| | | GOBO 6 | 35 | 40 | |
| | | GOBO 7 | 41 | 46 | |
| | | Gobo Rotation (set next ch) | | | |
| | | GOBO 1 | 47 | 52 | |
| | | GOBO 2 | 53 | 58 | |
| | | GOBO 3 | 59 | 64 | |
| | | GOBO 4 | 65 | 70 | |
| | | GOBO 5 | 71 | 76 | |
| | | GOBO 6 | 77 | 82 | |
| | | GOBO 7 | 83 | 88 | |
| | | Gobo shaking | | | |
| | | GOBO 1 shake | 89 | 103 | |
| | | GOBO 2 shake | 104 | 118 | |
| | | GOBO 3 shake | 119 | 133 | |
| | | GOBO 4 shake | 134 | 148 | |
| | | GOBO 5 shake | 149 | 163 | |
| | | GOBO 6 shake | 164 | 178 | |
| | | GOBO 7 shake | 179 | 193 | |

| Channel STANDARD | Name | Function | DMX | | Default | | |
|-----------------------------------|------------------|--|------|-----|---------|---|--|
| | | | From | To | | | |
| 13 | Rot Gobo Wheel | Gobo Wheel Rotation | | | | | |
| | | Forward rotation - Fast to slow | 194 | 223 | | | |
| | | No rotation | 224 | 225 | | | |
| | | Backwards rotation - Slow to fast | 226 | 255 | | | |
| 14 | Gobo Rot | Gobo Indexing | | | | 0 | |
| | | Gobo index 0° - 360° | 0 | 255 | | | |
| | | Gobo Rotation | | | | | |
| | | No rotation | 0 | 0 | | | |
| | | Forward gobo rotation - Fast to slow | 1 | 127 | | | |
| | | No rotation | 128 | 128 | | | |
| | | Backwards gobo rotation - Slow to fast | 129 | 255 | | | |
| 15 | Gobo Rot Fine | Fine indexing/rotation | 0 | 255 | 0 | | |
| 16 | Fix Gobo Wheel 1 | Open | 0 | 9 | 0 | | |
| | | Gobo selection | | | | | |
| | | GOBO 1 | 10 | 16 | | | |
| | | GOBO 2 | 17 | 23 | | | |
| | | GOBO 3 | 24 | 30 | | | |
| | | GOBO 4 | 31 | 37 | | | |
| | | GOBO 5 | 38 | 44 | | | |
| | | GOBO 6 | 45 | 51 | | | |
| | | GOBO 7 | 52 | 58 | | | |
| | | GOBO 8 | 59 | 65 | | | |
| | | Gobo shaking - Slow to fast | | | | | |
| | | GOBO 1 shake | 66 | 81 | | | |
| | | GOBO 2 shake | 82 | 97 | | | |
| | | GOBO 3 shake | 98 | 113 | | | |
| | | GOBO 4 shake | 114 | 129 | | | |
| | | GOBO 5 shake | 130 | 145 | | | |
| | | GOBO 6 shake | 146 | 161 | | | |
| | | GOBO 7 shake | 162 | 177 | | | |
| | | GOBO 8 shake | 178 | 193 | | | |
| | | Gobo Wheel Rotation | | | | | |
| | | Forward rotation - Fast to slow | 194 | 223 | | | |
| No rotation | 224 | 225 | | | | | |
| Backwards rotation - Slow to fast | 226 | 255 | | | | | |
| 17 | Prism 1 Circular | Open | 0 | 29 | 0 | | |
| | | Prism Indexing (set next ch) | 30 | 59 | | | |
| | | Prism Rotation (set next ch) | 60 | 89 | | | |
| | | Reserved | 90 | 255 | | | |

| Channel STANDARD | Name | Function | DMX | | Default |
|------------------|----------------------------|---------------------------------------|------|-----|---------|
| | | | From | To | |
| 18 | Prism 1 Index/ Rotation | Prism Indexing | | | 0 |
| | | Prism Indexing | 0 | 255 | |
| | | Prism Rotation | | | |
| | | Prism No Rotation | 0 | 0 | |
| | | Prism forward rotation fast to slow | 1 | 127 | |
| | | Prism No Rotation | 128 | 128 | |
| | | Prism backwards rotation slow to fast | 129 | 255 | |
| 19 | Prism 2 Linear | Open | 0 | 29 | 0 |
| | | Prism Indexing (set next ch) | 30 | 59 | |
| | | Prism Rotation (set next ch) | 60 | 89 | |
| | | Reserved | 90 | 255 | |
| 20 | Prism 2 Index/ Rotation | Prism Indexing | | | 0 |
| | | Prism Indexing | 0 | 255 | |
| | | Prism Rotation | | | |
| | | Prism No Rotation | 0 | 0 | |
| | | Prism forward rotation fast to slow | 1 | 127 | |
| | | Prism No Rotation | 128 | 128 | |
| | | Prism backwards rotation slow to fast | 129 | 255 | |
| 21 | Light Frost | Linear insertion 0 – 100% | 0 | 255 | 0 |
| 22 | Heavy Frost | Linear insertion 0 – 100% | 0 | 255 | 0 |
| 23 | Iris | Open | 0 | 0 | 0 |
| | | Max to min diameter | 1 | 127 | |
| | | Closed | 128 | 129 | |
| | | Pulse close slow to fast | 130 | 154 | |
| | | Pulse open slow to fast | 155 | 179 | |
| | | Random pulse closing slow to fast | 180 | 204 | |
| | | Random pulse opening slow to fast | 205 | 229 | |
| | | Reserved | 230 | 255 | |
| 24 | Iris Fine | Iris fine movement | 0 | 255 | 0 |
| 25 | Zoom | Zoom from min to max beam angle | 0 | 255 | 128 |
| 26 | Zoom Fine | Fine zooming | 0 | 255 | 0 |
| 27 | Focus | Focus adjustment | 0 | 255 | 128 |
| 28 | Focus Fine | Fine focusing | 0 | 255 | 0 |
| 29 | Animation Insertion | Linear insertion from 0% to 100% | 0 | 255 | 0 |
| 30 | Animation Rotation | Indexing | 0 | 127 | 0 |
| | | Forward rotation - Fast to slow | 128 | 190 | |
| | | Stop | 191 | 192 | |
| | | Backwards rotation - Slow to fast | 193 | 255 | |

| Channel STANDARD | Name | Function | DMX | | Default |
|------------------|--------------------|---------------------------------|------|-----|---------|
| | | | From | To | |
| 31 | Blade 1 position | Movement from outward to inward | 0 | 255 | 0 |
| 32 | Blade 1 swivelling | Swivelling from -30° towards 0° | 0 | 127 | 128 |
| | | 0 degrees | 128 | 128 | |
| | | Swivelling from 0° towards +30° | 129 | 255 | |
| 33 | Blade 2 position | Movement from outward to inward | 0 | 255 | 0 |
| 34 | Blade 2 swivelling | Swivelling from -30° towards 0° | 0 | 127 | 128 |
| | | 0 degrees | 128 | 128 | |
| | | Swivelling from 0° towards +30° | 129 | 255 | |
| 35 | Blade 3 position | Movement from outward to inward | 0 | 255 | 0 |
| 36 | Blade 3 swivelling | Swivelling from -30° towards 0° | 0 | 127 | 128 |
| | | 0 degrees | 128 | 128 | |
| | | Swivelling from 0° towards +30° | 129 | 255 | |
| 37 | Blade 4 position | Movement from outward to inward | 0 | 255 | 0 |
| 38 | Blade 4 swivelling | Swivelling from -30° towards 0° | 0 | 127 | 128 |
| | | 0 degrees | 128 | 128 | |
| | | Swivelling from 0° towards +30° | 129 | 255 | |
| 39 | Frame rotation | -45 degrees to 0 degrees | 0 | 126 | 128 |
| | | 0 degrees | 127 | 128 | |
| | | 0 degrees to +45 degrees | 129 | 255 | |
| 40 | Frame macros | No Function | 0 | 3 | 0 |
| | | Macro 1 | 4 | 10 | |
| | | Macro 2 | 11 | 17 | |
| | | Macro 3 | 18 | 24 | |
| | | Macro 4 | 25 | 31 | |
| | | Macro 5 | 32 | 38 | |
| | | Macro 6 | 39 | 45 | |
| | | Macro 7 | 46 | 52 | |
| | | Macro 8 | 53 | 59 | |
| | | Macro 9 | 60 | 66 | |
| | | Macro 10 | 67 | 73 | |
| | | Macro 11 | 74 | 80 | |
| | | Macro 12 | 81 | 87 | |
| | | Macro 13 | 88 | 94 | |
| | | Macro 14 | 95 | 101 | |
| | | Macro 15 | 102 | 108 | |
| | | Macro 16 | 109 | 115 | |
| | | Macro 17 | 116 | 122 | |
| | | Macro 18 | 123 | 129 | |
| | | Macro 19 | 130 | 136 | |
| Macro 20 | 137 | 143 | | | |

| Channel STANDARD | Name | Function | DMX | | Default |
|-------------------|--------------------|--------------------------|------|-----|---------|
| | | | From | To | |
| 40 | Frame macros | Macro 21 | 144 | 150 | 0 |
| | | Macro 22 | 151 | 157 | |
| | | Macro 23 | 158 | 164 | |
| | | Macro 24 | 165 | 171 | |
| | | Macro 25 | 172 | 178 | |
| | | Macro 26 | 179 | 185 | |
| | | Macro 27 | 186 | 192 | |
| | | Macro 28 | 193 | 199 | |
| | | Macro 29 | 200 | 206 | |
| | | Macro 30 | 207 | 213 | |
| | | Macro 31 | 214 | 220 | |
| | | Macro 32 | 221 | 227 | |
| | | Macro 33 | 228 | 234 | |
| | | Macro 34 | 235 | 241 | |
| | | Macro 35 | 242 | 248 | |
| | | Macro 36 | 249 | 255 | |
| 41 | Frame macros speed | Lineary from 0 to 100% | 0 | 255 | 0 |
| 42 | Focus Tracking | OFF | 0 | 49 | |
| | | ON - Priority GOBO WHL 1 | 50 | 59 | |
| | | ON - Priority GOBO WHL 2 | 60 | 69 | |
| | | ON - Priority BLADES | 70 | 79 | |
| | | ON - Priority IRIS | 80 | 89 | |
| | | ON - Priority ANIMATION | 90 | 99 | |
| | | ON - Priority OPEN | 100 | 109 | |
| | | Reserved | 110 | 255 | |
| 43 | Control | No Function/Safe | 0 | 1 | 0 |
| | | Pan Reverse On | 2 | 3 | |
| | | Pan Reverse Off | 4 | 5 | |
| | | Tilt Reverse On | 6 | 7 | |
| | | Tilt Reverse Off | 8 | 9 | |
| | | Pan/Tilt Mode Fast | 10 | 11 | |
| | | Pan/Tilt Mode Medium | 12 | 13 | |
| | | Pan/Tilt Mode Slow | 14 | 15 | |
| | | Reserved | 16 | 43 | |
| | | Display On | 44 | 45 | |
| | | Display 15s | 46 | 47 | |
| | | Flip Display On | 48 | 49 | |
| | | Flip Display Off | 50 | 51 | |
| Flip Display Auto | 52 | 53 | | | |

| Channel STANDARD | Name | Function | DMX | | Default |
|--------------------------------------|---------|---------------------------------|------|-----|---------|
| | | | From | To | |
| 43 | Control | Key Lock On | 54 | 55 | 0 |
| | | Key Lock Off | 56 | 57 | |
| | | Fan Mode Auto | 58 | 59 | |
| | | Fan Mode Silent | 60 | 61 | |
| | | Fan Mode High | 62 | 63 | |
| | | No Signal Hold | 64 | 65 | |
| | | No Signal Blackout | 66 | 67 | |
| | | Status Led On | 68 | 69 | |
| | | Status Led Off | 70 | 71 | |
| | | Dimmer Curve Linear | 72 | 73 | |
| | | Dimmer Curve S-Curve | 74 | 75 | |
| | | Dimmer Curve Square Law | 76 | 77 | |
| | | Dimmer Curve Inverse Square Law | 78 | 79 | |
| | | Dimmer Speed Auto | 80 | 81 | |
| | | Dimmer Speed Fast | 82 | 83 | |
| | | Dimmer Speed Medium | 84 | 85 | |
| | | Dimmer Speed Slow | 86 | 87 | |
| | | Led Frequency 1000hz | 88 | 91 | |
| | | Led Frequency 2000hz | 92 | 93 | |
| | | Led Frequency 4000hz | 94 | 95 | |
| | | Led Frequency 6000hz | 96 | 97 | |
| | | Led Frequency 25khz | 98 | 99 | |
| | | Led Frequency 50khz | 100 | 101 | |
| | | Invert Zoom Off | 102 | 103 | |
| | | Invert Zoom On | 104 | 105 | |
| | | Invert Blades On | 106 | 107 | |
| | | Invert Blades Off | 108 | 109 | |
| | | Reserved | 110 | 199 | |
| | | Reset All | 200 | 201 | |
| | | Reset Pan & Tilt | 202 | 203 | |
| | | Reset Zoom/Focus | 204 | 205 | |
| | | Reset Colors | 206 | 207 | |
| | | Reset Gobos/Animation | 208 | 209 | |
| | | Reset Effects | 210 | 211 | |
| Reset All Blades | 212 | 213 | | | |
| Reserved | 214 | 251 | | | |
| Factory Default Of Control Functions | 252 | 253 | | | |
| Reserved | 254 | 255 | | | |