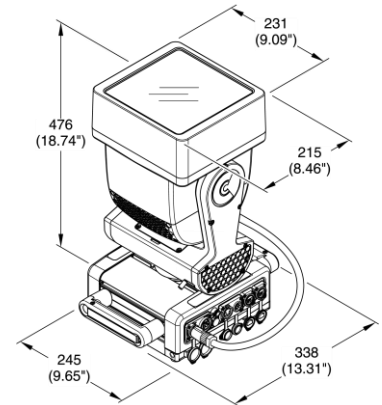
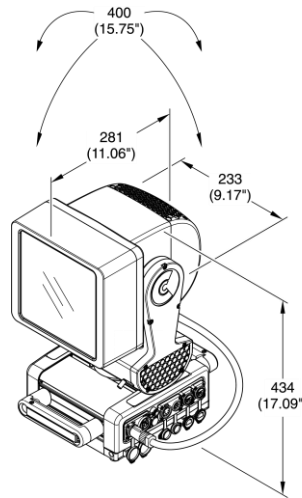


MODEL: VOLERO CUBE  
 CODE: CL3031

July 1, 2025



#### LIGHT SOURCE:

- Source type:**
- 4 LED RGBW (x 60W)
  - 64 LED White (x 3W)
- Color temperature:**
- LED RGBW: 8400 K
  - LED White: 6500 K
- CRI:**
- Up to 70
- LED life expectancy:**
- 50.000 Hrs L70\*

\* It may vary depending on various factors, such as the type of use and environment

#### PHOTOMETRIC DATA:

- Zoom range:**
- 2.5° (Beam)
  - 43.8° (Field)
- Lumen output:**
- **RGBW engine:** 3819 Lm (integrating sphere)
  - **White engine:** 8866 Lm (integrating sphere)
- Front lens:**
- 187 x 187 mm
- Optical syt.:**
- High efficiency

#### NOISE LEVEL:

- **Silent:** 38.0 dB
- **Auto:** 40.0 dB
- **Theatre:** 38.1 dB
- **Constant:** 46.6 dB

#### CONTROL & CONNECTIONS:

- Personalities:**
- Basic engine: 22 / 41 / 45 control channels
  - Pixel engine: 16 channels
  - Strobe engine: 8 channels
- Protocols:**
- DMX, Art-Net, sACN, RDM
- Connectors:**
- Locking 5 pin XLR IN/OUT
  - RJ45 IN/OUT
- Power con.:**
- PowerCon True1 IN/OUT
- Web server:**
- Built-in
- CloudIO:**
- Fully compatible

#### DYNAMIC EFFECTS:

- Colors:**
- Electronic CTO 2500 – 8000K
  - Advanced layers management (color, internal shape, pixel mapping + strobe)
  - Individual LED control of four central RGBW LEDs
  - Pre-programmed shape selection of static and dynamic patterns, adjustable in color, speed, direction, fade, and strobe

- Movement:**
- Tilt: 194°
  - Pan: 540°
  - Accuracy: Resolution:  $\pm 0.2^\circ$  ( $\pm 0^\circ 12' 00''$ )  
Range:  $0,4^\circ$  ( $0^\circ 24' 0''$ )
  - Continuous Pan rotation
  - Mechanical Pan lock for safe transportation and maintenance

- Beam:**
- Motorized zoom

- Dimmer / Shutter:**
- High resolution electronic dimmer, 16 bit, 5 curves
  - Electronic strobe 25 f/sec
  - High speed electronic shutter and strobe

#### HARDWARE & SOFTWARE:

---

- Long life self-charging battery
- Display graphic LCD backlit B/W display
- Firmware upload from another fixture
- Firmware upgrade via Web Server
- Diagnostic
- DMX monitoring
- Remote access through RDM

#### HOUSING:

---

- Magnesium housing
- Two side handles for transportation
- IP66 protection rate
- Working in any position
- Hanging system: with fast-lock Omega clamps (1/4) turn on the base
- Optional safety chain

#### ELECTRICAL:

---

- Operating voltage:**
- 100-240V, 50/60 Hz
- Power Supply:**
- Electronic auto range with active PFC
- MAX power consumption:**
- 500 W

#### THERMAL SPECIFICATION:

---

- MAX Ambient temperature:**
- 45°C (113°F)
- Min Ambient Temperature:**
- -20°C (-4°F)
- MAX temp. of ext. surface:**
- 90°C (194°F)
- Total heat dissipation:**
- 1708 BTU/hr  $\pm 10\%$  / 1800 kJ/hr  $\pm 10\%$

#### SAFETY SPECIFICATIONS:

---

- Min. dist. of illum. objs:**
- 0,2 m - 8 in
- Min. dist. from flamm. mat.:**
- 0,2 m - 8 in
- Protections:**
- Thermally protected power supply (overheating and cooling failure)
  - Forced ventilation with axial fans
  - T6.3A 250V battery fuse

#### COMPLIANCE:

---

##### CE Marking (in conformity to the following):

- 2014/35/EU - Low Voltage Directive (LVD)
- 2014/30/EU - Electromagnetic compatibility (EMC)
- 2011/65/EU - Restriction of the use of certain hazardous substances (RoHS)
- 2009/125/EC - EcoDesign requirements for Energy-related Products (ErP)

##### UKCA conforms to UK regulations:

- S.I. 2016 N.1101
- S.I. 2016 N. 1091
- S.I. 2012 N.3032
- S.I. 2021 N.745

##### cMETus LISTED:

- UL 1573:2003
- CSA C22.2 N.166:2015

#### PACKAGING:

---

- Carton box + Polystyrene
- Carton box + Foam shell
- Flight case + Foam shell

#### WEIGHT & SIZES:

---

- Weight:**
- 15.4 Kg (33.95 lbs)
- Base dim.s:**
- 245 x 338 mm
  - 9.65 x 13.30 In
- Height with vert. head (h):**
- 476 mm
  - 18.74 In

#### ACCESSORIES

---

- Omega Bracket:**
- 183102/805 (Included)
- ETL Power:**
- CAB02B/802 (Included)  
\* Cord 1.5 m (bare end with IP65 PowerConTrue1 conn.)
- Flight case (6 pos.):**
- CF1030F (Optional)
- Foam shell:**
- F21349/001 (Optional)
- Safety Chain:**
- 105041/003 (Optional)
- Clamp:**
- C21070 (Optional)