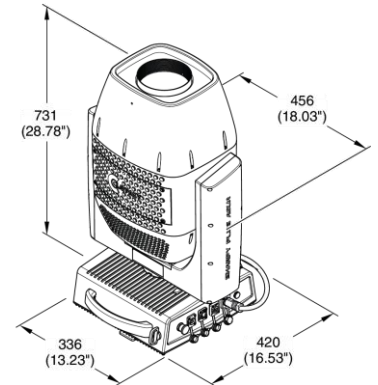
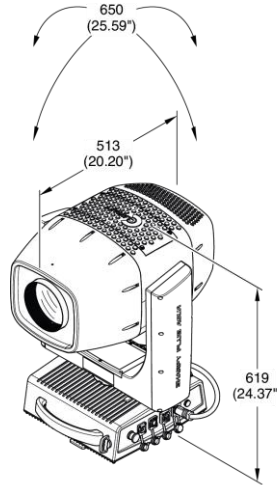


MODEL: SHARPY PLUS AQUA

CODE: CD3002

November 21, 2025



#### LIGHT SOURCE:

- Source type:** • HRI Sirius Osram Arc Lamp
- Power:** • 330 W
- Color temperature:** • 8000 K ± 300
- LED life expectancy:** • 1500 Hrs L70\*

\* It may vary depending on various factors, such as the type of use and environment

#### PHOTOMETRIC DATA:

- Zoom range:** • 3° - 36°
- Lm output:** • 12.000 Lm (integrating sphere)
- Front lens:** • Ø 135 mm
- Optical syt.:** • High efficiency

#### NOISE LEVEL:

- Fixed presets:**
  - Lamp off + Dimmer @ 0%: 43.0 dBA
  - Lamp + Dimmer @ 100%: 54.4 dBA

#### CONTROL & CONNECTIONS:

- Personalities:** • 1 mode with 31 control channels
- Protocols:** • DMX, Art-Net, sACN, RDM  
• CRMX (Wireless Solution)
- Connectors:** • Locking 5 pin XLR IN/OUT  
• RJ45 IN
- Power con.:** • PowerCon True1 IN/OUT
- Web server:** • Built-in
- CloudIO:** • Fully compatible

#### DYNAMIC EFFECTS:

- Colors:** • Linear CMY colour mixing  
• 15 colors on 3 wheels (2 CTO filters)
- Gobos:** • 1 Static gobo wheel with 18 gobos, 6 beam reducers (down to 0.5°)  
• 1 Rotating gobo wheel with 8 HD Indexable and replaceable gobos

- Frost:**
- Linear soft edge frost filter
- Rotating effects:**
- Aluminum animation wheel with continuous rotation in both direction at variable speed
  - 4-facet prism with rotation in both directions at variable speed
  - 8-facet prism with rotation in both directions at variable speed
- Movement:**
- Tilt: 270° - 16 bit
  - Pan: 540° - 16 bit
  - Accuracy: Resolution  $\pm 0,28^\circ$  (Range 0,56°)
  - Automatic repositioning
  - Mechanical Pan/Tilt lock for safe transportation and maintenance
  - Fast/Standard speed selectable by Function channel
- Beam:**
- Motorized zoom and focus
- Dimmer / Shutter:**
- High resolution electronic dimmer - 16 bit
  - High speed electronic shutter and strobe

#### HARDWARE & SOFTWARE:

- Long life self-charging battery
- Display graphic LCD backlit B/W display
- Firmware upload from another fixture
- Firmware upgrade via Web Server
- Diagnostic
- DMX monitoring
- Remote access through RDM

#### HOUSING:

- Aluminium and steel structure with plastic covers
- Two side handles for transportation
- IP66 protection rate
- IK10 impact resistance rate
- Working in any position
- Hanging system: with fast-lock Omega clamps (1/4 turn) on the base
- Optional safety chain

#### ELECTRICAL:

- Operating voltage:**
- 100-240V, 50/60 Hz
- Power Supply:**
- Electronic auto range with active PFC
- MAX power consumption:**
- 560 VA

#### THERMAL SPECIFICATION:

- MAX Ambient temperature:**
- 40°C (104°F)
- Min Ambient Temperature:**
- -20°C (-4°F)
- MAX temp. of the ext. surface:**
- 40°C (104°F)

#### SAFETY SPECIFICATIONS:

- Min. dist. of illum. objs:**
- 8 m (26' 3")
- Min. dist. from flamm. mat.:**
- 0.2 m (8")
- Protections:**
- Thermally protected power supply (overheating and cooling failure)
  - Forced ventilation with axial fans

#### COMPLIANCE:

##### CE Marking (in conformity to the following):

- 2014/53/EU - Radio Equipment Directive (RED)
- 2011/65/EU - Restriction of the use of certain hazardous substances (RoHS)
- 2009/125/EC - EcoDesign requirements for Energy-related Products (ErP)

##### UKCA conforms to UK regulations:

- S.I. 2017 N. 1206
- S.I. 2012 N. 3032
- S.I. 2010 N. 2617

##### cMETus LISTED:

- UL 1573:2003
- CSA C22.2 N.166:2015

#### PACKAGING:

- Carton box + Polystyrene
- Carton box + Foam shell
- Flight case + Foam shell (2 positions)

#### WEIGHT & SIZES:

- Weight:**
- 37.5 Kg (82.2 lbs)
- Base dim.s:**
- 336 x 420 mm
  - 13.23 x 16.53 In
- Height with vert. head (h):**
- 731 mm
  - 28.78 In
- Dist. b/t 2 fixt:**
- 700 mm

#### ACCESSORIES:

- Omega bracket:**
- 2x183102/805 (Included)
- ETL Power:**
- CAB02B/802 (Included)\*
- \* Cord 1.5 m (bare end with IP65 PowerConTrue1 conn.)
- Foam shell:**
- F21319/001 (Optional)
- Flight case (2 pos):**
- CF1005F (Optional)
- Safety Chain:**
- 105041/003 (Optional)
- Frost assembly 5Á**
- 371081/802 (Optional)
- Linear prism assembly:**
- 371020/803 (Optional)