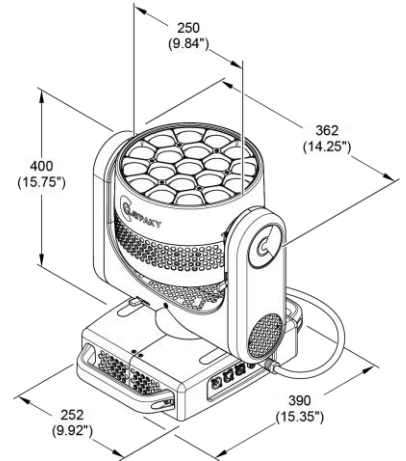
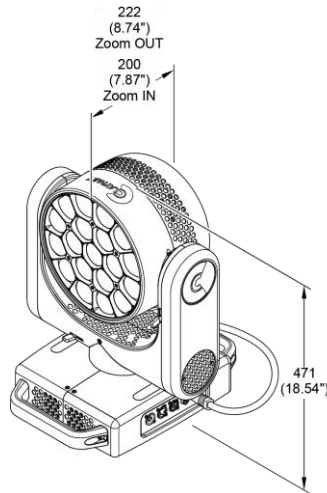


MODEL: MIDI-B  
 CODE: CL3011

November 20, 2025



#### LIGHT SOURCE:

- Source type:** • Osram 40W RGBW LEDs (x 19)
- LED life expectancy:** • 20.000 Hrs L70\*
- \* It may vary depending on various factors, such as the type of use and environment

#### PHOTOMETRIC DATA:

- Zoom range:** • 4° - 50°
- Lm output:** • 11.401 Lm (integrating sphere)
- Optical syt.:** • High efficiency

#### NOISE LEVEL:

- Fixed presets:**
- Theatre: 34,5 dBA
  - Silent: 35,2 dBA
  - Auto: 39,2 dBA
  - Constant: 41,2 dBA

#### CONTROL & CONNECTIONS:

- Personalities:** • 4 modes with 17 / 21 / 25 / 37 control channels
- Protocols:** • DMX, Art-Net, sACN, RDM
- Connectors:** • Locking 5 pin XLR IN/OUT  
• RJ45 IN
- Power con.:** • PowerCon True1 IN/OUT
- Web server:** • Built-in
- CloudIO:** • Fully compatible

#### DYNAMIC EFFECTS:

- Colors:**
- Linear RGBW
  - Linear CTO (2500K to 8000K color temperature control)
  - Preset Macro colors
  - Three independently controlled LED rings

- Movement:**
- Tilt: 270° - 16 bit
  - Pan: 540° - 16 bit
  - Automatic repositioning
  - Mechanical Pan/Tilt lock for safe transportation and maintenance
  - Fast/Standard speed selectable by Function channel
- Beam:**
- Motorized zoom and focus
  - Automatic repositioning when DMX is disconnected
- Dimmer / Shutter:**
- High resolution electronic dimmer - 24 bit, 5 curves
  - High speed electronic strobe

## HARDWARE & SOFTWARE:

- Long life self-charging battery
- Display graphic LCD backlit B/W display
- Firmware upload from another fixture
- Firmware upgrade via Web Server
- Diagnostic
- DMX monitoring
- Remote access through RDM

## HOUSING:

- Aluminium and steel structure with plastic covers
- Two side handles for transportation
- IP20 protection rate
- Working in any position
- Hanging system: with fast-lock Omega clamps (1/4 turn on the base)
- Optional safety chain

## ELECTRICAL:

- Operating voltage:**
- 100-240V, 50/60 Hz
- Power Supply:**
- Electronic auto range with active PFC
- MAX power consumption:**
- 830 VA

## THERMAL SPECIFICATION:

- MAX Ambient temperature:**
- 45°C (113°F)
- Min Ambient Temperature:**
- -20°C (-4°F)
- MAX temp. of the ext. surface:**
- 90°C (194°F)
- Total heat dissipation:**
- 2596 BTU/hr ±10% / 2736 kJ/hr ±10%

## SAFETY SPECIFICATIONS:

- Min. dist. of illum. objs:**
- 0,2 m (8")
- Min. dist. from flamm. mat.:**
- 0,2 m (8")
- Protections:**
- Thermally protected power supply (overheating and cooling failure)
  - Forced ventilation with axial fans
  - Fuse T10A – 250V

## COMPLIANCE:

### CE Marking (in conformity to the following):

- 2014/35/EU – Safety of electrical equipment supplied at low voltage (LVD)
- 2014/30/EU – Electromagnetic Compatibility (EMC)
- 2011/65/EU - Restriction of the use of certain hazardous substances (RoHS)
- 2009/125/EC - EcoDesign requirements for Energy-related Products (ErP)

### UKCA conforms to UK regulations:

- S.I. 2016 N. 1101
- S.I. 2016 N.1091
- S.I. 2012 N.3032
- S.I. 2010 N.2617

### cMETus LISTED:

- UL 1573:2003
- CSA C22.2 N.166:2015

## PACKAGING:

- Carton box + Polystyrene
- Carton box + Foam shell
- Flight case + Foam shell (4 positions)

## WEIGHT & SIZES:

- Weight:**
- 17 Kg (37,5 lbs)
- Base dim.s:**
- 252 x 390 mm
  - 9,92 x 15,35 In
- Height with vert. head (h):**
- 471 mm
  - 18,54 In
- Dist. b/t 2 fixt:**
- 500 mm

## ACCESSORIES:

- Omega bracket:**
- 2x183102/805 (Included)
- ETL Power:**
- CAB02B/802 (Included)\*
- \* Cord 1.5 m (bare end with IP65 PowerConTrue1 conn.)
- Egg crate:**
- CA3005000100 (Optional)
- Flight case (4 pos):**
- CF1010F (Optional)
- Foam shell:**
- F21321/001 (Optional)
- Safety Chain:**
- 105041/003 (Optional)