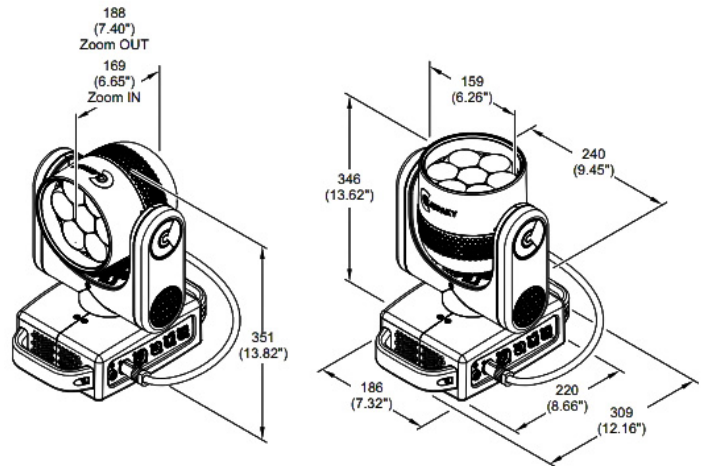


MODEL: MINI-B / WW
 CODE: CL3005 / CL3020

May 5, 2025



LIGHT SOURCE:

- Source type:** • RGBW LED / RGBW+WW LED
- Power:** • 40W x7 (Osram)
- LED life expectancy:** • 20.000 Hrs L70*
- * It may vary depending on various factors, such as the type of use and environment

PHOTOMETRIC DATA:

- Zoom range:** • 4 – 55°
- Lm output:** • 3420 Lm (integrating sphere)
- Front lens:** • Ø 140 mm
- Optical syt.:** • High efficiency

NOISE LEVEL:

- Controlled by:** • Able to control linearly the speed of the fans
- Fixed presets:**
 - Silent: 34.4 dB
 - Auto: 42.9 dB
 - Theatre: 41.2 dB
 - Constant: 44.3 dB

CONTROL & CONNECTIONS:

- Personalities:** • 4 modes with 17 / 21 / 21 / 29 control channels
- Protocols:** • DMX, Art-Net, sACN, RDM
- Connectors:** • Locking 5 pin XLR IN/OUT
• RJ45 IN
- Power con.:** • PowerCon True1 IN/OUT
- Web server:** • Built-in
- CloudIO:** • Fully compatible

DYNAMIC EFFECTS:

- Colors:**
 - Preset macro colors
 - RGBW color mixing (16 bit) – **Mini-B**
 - Linear CTO 2500K to 8000K (16 bit) – **Mini-B**
 - RGBWW color mixing (16 bit) – **Mini-B WW**
 - Linear CTO 6500K to 2500K (16 bit) – **Mini-B WW**
- Movement:**
 - Tilt: 260° - 16 Bit (Max speed: 2 sec)
 - Pan: 540° - 16 Bit (Max speed: 3.3 sec)
 - Automatic repositioning
 - Fast / Normal / Boost speed selectable by functional channel
- Beam:** • Motorized zoom
- Dimmer / Shutter:**
 - High resolution electronic dimmer - 24 bit, 5 curves
 - High speed electronic strobe

HARDWARE & SOFTWARE:

- Long life self-charging battery
- Display graphic LCD backlit B/W display
- Firmware upload from another fixture
- Firmware upgrade via Web Server
- Diagnostic
- DMX monitoring
- Remote access through RDM

HOUSING:

- Aluminium and steel structure with plastic covers
- Two side handles for transportation (Optional)
- IP20 protection rate
- Working in any position
- Hanging system: with fast-lock Omega clamps (1/4) turn on the base
- Optional safety chain

ELECTRICAL:

Operating voltage:

- 100-120 / 200-240V, 50/60 Hz

In/Out MAX:

- In/Out Max 6(2) fixtures @ 200-240Vac (@ 100-120Vac)

Power Supply:

- Electronic auto range with active PFC

MAX power consumption:

- 375 W

THERMAL SPECIFICATION:

MAX Ambient temperature:

- 40°C (104°F)

Min Ambient Temperature:

- -20°C (-4°F)

MAX temp. of the ext. surface:

- 90°C (194°F)

Total heat dissipation:

- 956.5 BTU/hr ±10% / 1008 kJ/hr ±10%

SAFETY SPECIFICATIONS:

Min. dist. of illum. objs:

- 0.2 m (8")

Min. dist. from flamm. mat.:

- 0.2 m (8")

Protections:

- Thermally protected power supply (overheating and cooling failure)
- Forced ventilation with axial fans

COMPLIANCE:

CE Marking (in conformity to the following):

- 2014/35/EU – Safety of electrical equipment supplied at low voltage (LVD)
- 2014/30/EU – Electromagnetic Compatibility (EMC)
- 2011/65/EU - Restriction of the use of certain hazardous substances (RoHS)
- 2009/125/EC - EcoDesign requirements for Energy-related Products (ErP)

UKCA conforms to UK regulations:

- S.I. 2016 N. 1101
- S.I. 2016 N. 1091
- S.I. 2012 N.3032
- S.I. 2021 N.745

cMETus LISTED:

- UL 1573:2003
- CSA C22.2 N.166:2015

PACKAGING:

- Carton box + Polystyrene
- Carton box + Foam shell
- Flight case + Foam shell (8 positions)

WEIGHT & SIZES:

Weight: • 6.5 Kg (14.5 lbs)

Base dim.s: • 186 x 220 mm
• 7.32 x 8.66 In

Height with vert. head (h): • 346 mm
• 13.62 In

Dist. b/t 2 fixt: • 340 mm

ACCESSORIES:

Omega bracket:

- 1x 381014-801 (Included)

ETL Power:

- CAB02B-802 (Included)*
* Cord 1.5 m (bare end with IP65 PowerConTrue1 conn.)

Two side handleless:

- CA3001000100 (Optional)

Egg crate:

- CA3002000100 (Optional)

Frost filter 2°:*

- CA3008000100 (Optional)

Frost filter 5°:*

- CA3009000100 (Optional)

* Must be used with egg-crate

Frost filter 2° + Egg crate:

- CA3012000100 (Optional)

Frost filter 5° + Egg crate:

- CA3013000100 (Optional)

Foam shell:

- F21316-001 (Optional)

Igloo fast fit bracket:

- CA3004000100 (Optional)

Flight case (8 pos):

- CF1003F (Optional)

Safety Chain:

- 105015-802 (Optional)

Clamp:

- C21070 (Optional)

PowerCon True 1 con.:

- CON000 (Optional)