

Ark 403MP

Wall mounted column loudspeaker, Low Mid 4x3" 100W/8ohm, 114dB SPL



Wall mounted column loudspeaker, 100W AES, 114dB SPL

MAIN FEATURES

- Mid frequency: 4x3" midrange / 0.75" v.c.
- Frequency response: 135-17000 Hz (± 3 dB)
- Coverage angle HxV: 115x20°
- The modules with 4 transducers of 3" represent the solution to sound in deep environments particularly difficult, where quality and intelligibility are required.
- Column modules with an off-axis transducer for wide horizontal dispersion.
- Aluminium frame for a very robust yet lightweight design that fits in with any environment.

VERSIONS

Code	Housing
ARK403MPBK	Black
ARK403MPWH	White



TECHNICAL SPECIFICATION

LOUDSPEAKER

- System type: column loudspeaker

COMPONENTS

- Mid frequency: 4x3" midrange / 0.75" v.c.

FEATURES

- AES/program power: 100/200W
- SPL max: 114dB @1m (free field)

ACOUSTICAL SPECIFICATIONS

- Sensitivity: 92dB @1W/1m (free field)
- Impedance: 8 Ohm
- SPL cont/peak: 108/114dB @1m (free field)
- Frequency response: 135-17000Hz (± 3 dB)
- Coverage angle HxV: 115x20°
- Suggest HPF range: 140/180Hz
- Recommended amplifier up to: 200W /8Ohm

INPUT/OUTPUT CONNECTORS

- Input signal: 4pole IN/OUT

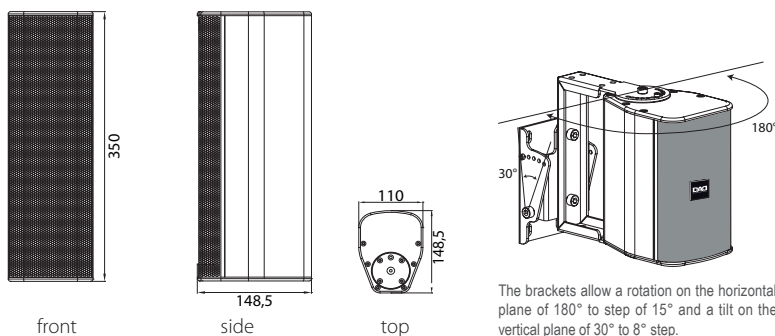
CABINET CONSTRUCTION

- Cabinet material: 3mm aluminum die cast
- Suspension system: wall brackets (included)

PHYSICAL

- Dimensions (WxHxD): 110x350x148mm
- Weight: 5.8kg

TECHICAL DRAWINGS

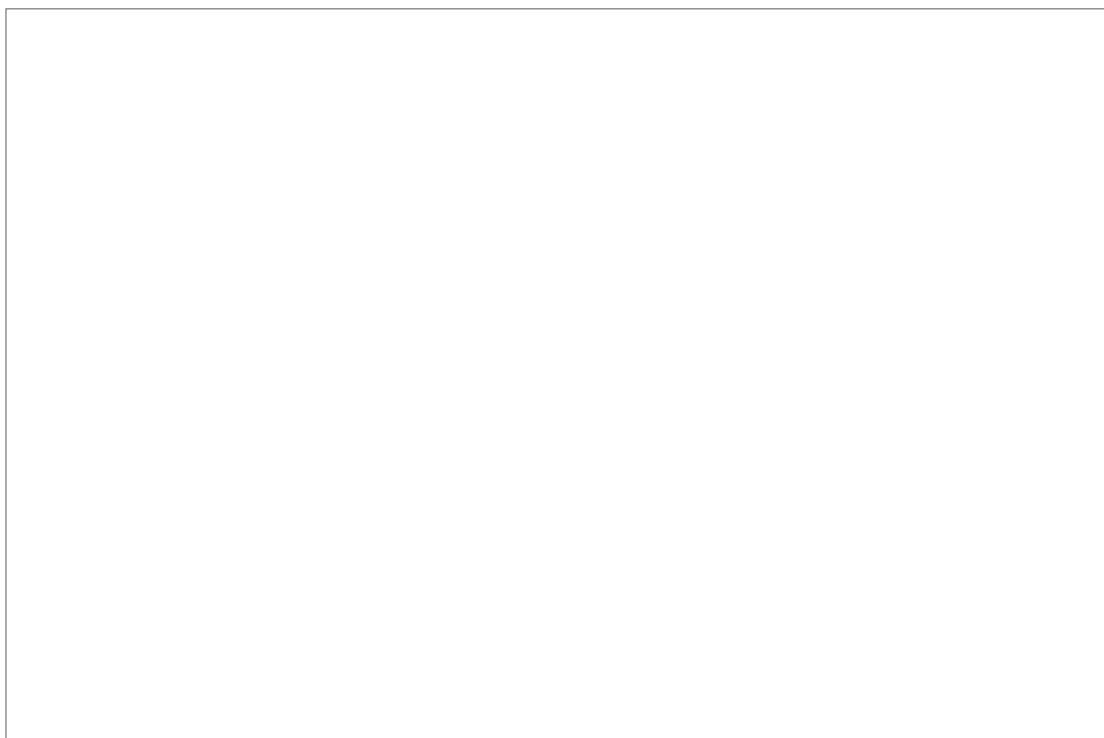


For more product info and downloads visit our website



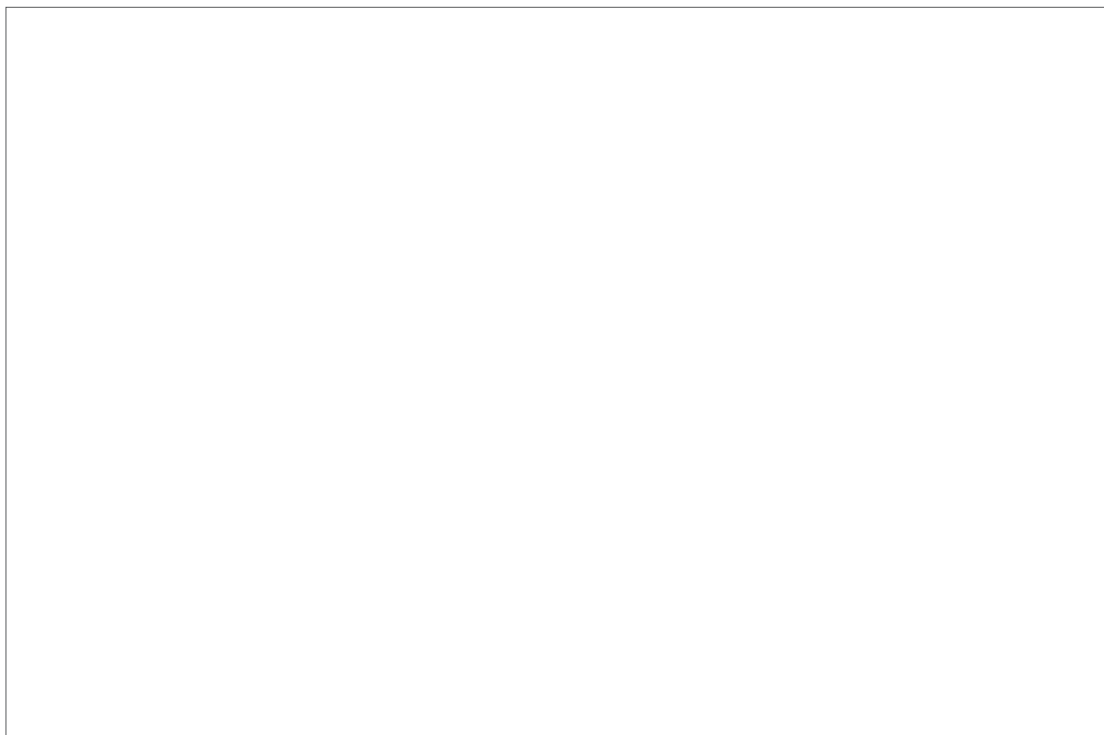
PRESET FULL ON

Beam angle 50%: 25°



PRESET FULL ON

Beam angle 50%: 45°



TECHICAL DRAWINGS

For more product
info and downloads
visit our website

