



**EclPar** is a range of multipurpose LED fixtures with a single source, delivering silent operation, high quality of light and optical flexibility, designed to redefine the standard for theatrical, TV and corporate applications. **EclPar TU** and **DY** features a 177W white LED source (3.200 K TU; 6.000 K DY) delivering a tremendous lumen output and superior light quality with CRI and R9 > of 96. **EclPar UV** is a real UV LED luminaire with a 365nm wavelength LED source. The fixture offers an extensive accessory range including barn doors, filter frame, egg crate and a multitude of interchangeable lenses. **EclPar** features a smooth 16-bit dimming as well as RDM control and adjustable PWM to look good in front of a camera.

## MAIN FEATURES

- 177W White LED source (3.200 K TU; 5.600 K DY) with CRI and R9 > of 96; UV 108W 365nm wavelength LED source
- Flex lens system: TU and DY 24° on-board - 12° and 73° included - 40° optional - UV 40° on-board
- Silent operation and adjustable PWM

## VERSIONS

Code	CCT	CRI
<b>ECLPARDY</b>	6.000 K	> 96
<b>ECLPARTU</b>	3.200 K	> 96
<b>ECLPARUV</b>	3.200 K	> 96

## TECHNICAL SPECIFICATION

### LIGHT SOURCE

- Source: 177 W white LED / 108W UV LED
- CCT: (TU) 3.200K - (DY) 5.600K
- Luminous flux: (TU) 12°: 11'726 lm - 24°: 12'454 lm - 73°: 11'834lm @full
- Luminous flux: (DY) 12°: 13'739 lm - 24°: 14'436 lm - 73°: 13'913 lm; (UV) 229,07 lm
- Lux: (TU) 12°: 5'102 lx - 24°: 2'333 lx - 73°: 344lx @5 m full
- Lux: (DY) 12°: 5'947 lx - 24°: 2'777 lx - 73°: 413 lx; (UV) 5'724lx @5 m full
- CRI: > 97 for TU; > 96 for DY
- R9: > 97 for TU; > 96 for DY
- TLCI: > 98 for TU; > 95 for DY
- TM30 Rf: > 93 for TU; > 90 for DY
- TM30 Rg: < 102 for TU; < 101 for DY
- Source life expectancy: > 70.000 h

### OPTICS

- Beam angle: with different lens included: 12° / 24° / 73°
- Field angle: with different lens included: 28° / 41° / 104°
- Lens diameter: 163mm
- Lens type: fresnel lens
- Additional optics: 24° (onboard - for TU and DY versions), 12° and 73° lens included (for TU and DY versions), 40° lens optional (for TU and DY versions) - gel frame holder included (for TU and DY versions) - egg crate optional - barndoors optional
- Other: 40° lens only included on board in UV version; no other lens or accessories available for UV version

### DYNAMIC EFFECTS

- Static mode: selection of static colour
- Manual mode: manual adjustment of dimmer and strobe
- Auto mode: built-in programs with execution speed adjustment

## ACCESSORIES & RELATED PRODUCTS

• 9513FCAL03	Ass. 3x2.5mm TH07 cable, 16A 3p 230V CEE plug, MENAC3FCA socket, L.3m
• 9533FCAL03	Ass. 3x2.5mm TH07 cable, SHUKO plug, MENAC3FCA socket, L.3m
• 958025L03	3x2.5mm TH07 Cable, 20A 3p PwCon FCA, 20A 3p PwCon FCB, L. 3m
• C6002B	Slim aluminum clamp, 200kg loading, 48-51mm tubes, M10 bolt, Black
• FCLECLPAR	Flightcase for 6 pcs of ECLPAR
• RSR0630B	Steel security cable for hanging bodies, inox steel shackle, L=60 cm, black
• TOUR53413L03	Dmx cable HC5340. CANC3MXX XLR 3p->CANC3FXX XLR (f) 3p, L.3m

### BODY

- Body: aluminium die-casting
- Body colour: black

### CONTROL

- Protocols: DMX512, RDM
- DMX channels: 1 / 2 / 3 / 6channel
- RDM: RDM for remote monitoring and settings
- Display: OLED display
- Firmware upgrade: yes, via USB - DMX interface (UPBOX1) not included
- Master/Slave: for synchronised operation of more units linked in a chain

### ELECTRONICS

- Dimmer: linear 0 ~ 100% electronic dimmer
- Dimmer curves: selectable dimming modes available
- Strobe / shutter: 1 - 30 Hz, electronic
- Operating temperature: -10° ~ +45°
- LED Control: flicker free operation
- Selectable PWM: 600 ~ 25.000 Hz

### ELECTRICAL

- Mains power supply: 100-240V - 50/60Hz
- Max power consumption: (TU, DY) 207 W - (UV) 127W
- Output (at 230V): (TU, DY) 12 - (UV) 16 units on a single power line
- Power factor: > 0.95

### PHYSICAL

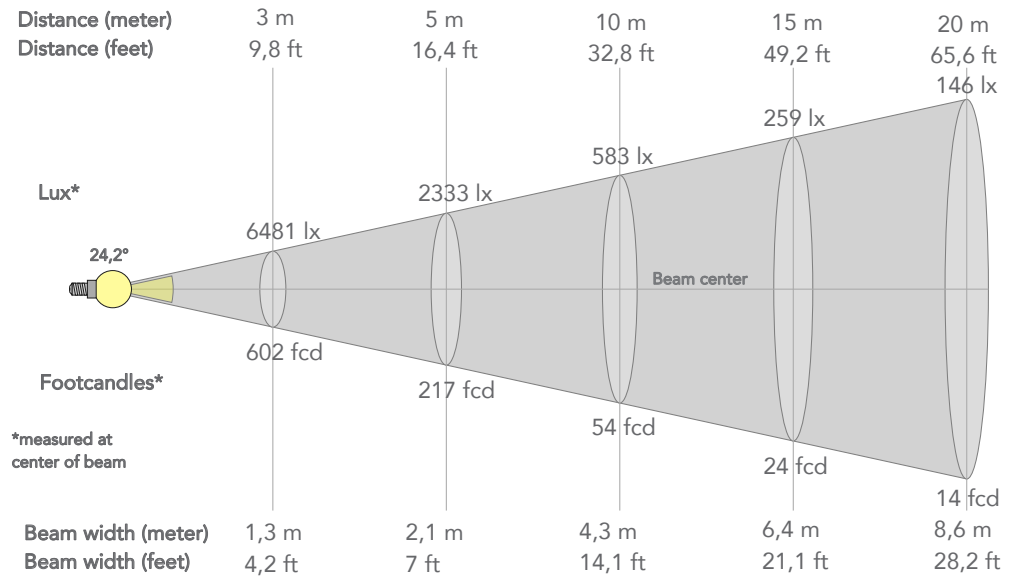
- IP rating: 20
- Cooling: active, silent operation
- Suspension and fixing: any position with quick-lock omega brackets
- Signal connection: Amphenol XLR 3p + 5p IN/OUT connectors
- Power connection: Neutrik powerCON IN/OUT connectors
- Dimensions (WxHxD): 316x404x317mm
- Weight: 5,5kg

• TOUR53415L03	Dmx cable HC5340. CANC5MXX XLR 5p->CANC5FXX XLR (f) 5p, L.3m
• ECLPARBD	Barn door with directional flaps to adjust the light beam for ECLPAR series
• ECLPARLENS12	12° lens for ECLPAR projectors series
• ECLPARLENS24	24° lens for ECLPAR projectors series
• ECLPARLENS40	40° lens for ECLPAR projectors series
• ECLPARLENS65	73° lens for ECLPAR projectors series
• ECLPAREC	Egg crate for ECLPAR projectors series
• ECLPARTPG	Gel filter frame for ECLPAR projectors
• ECLPARASF	Kit di filtri asimmetrici per serie ECLPAR
• UPBOX1U	Firmware uploader kit, USB IN, 3pin XLR DMX OUT, USB OUT

### PRESET FULL ON (TU)

Beam angle 50%: 24°

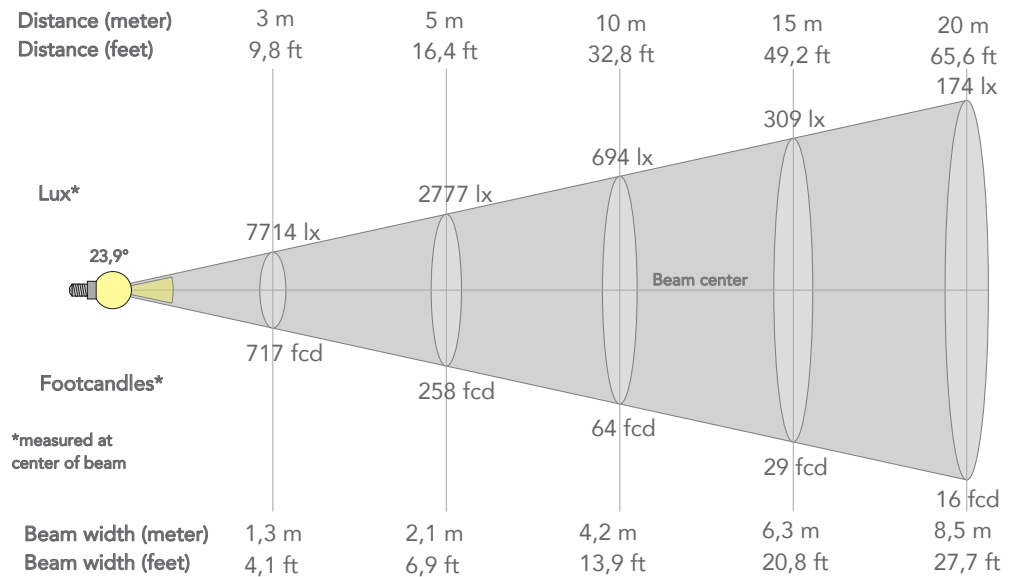
Beam angle 50%	Field angle 10%	Cut off angle 2,5%	Intensity ratio in 120° cone	Intensity ratio in 90° cone
24,2°	40,6°	57,5°	97,7%	93,8%



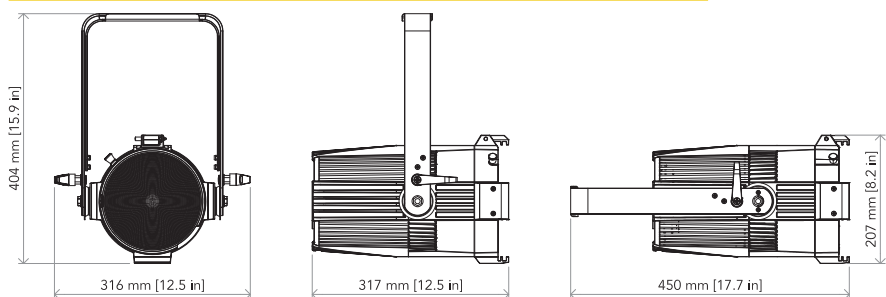
### PRESET FULL ON (DY)

Beam angle 50%: 23,9°

Beam angle 50%	Field angle 10%	Cut off angle 2,5%	Intensity ratio in 120° cone	Intensity ratio in 90° cone
23,9°	40,2°	56°	97,2%	93,6%



### TECHNICAL DRAWINGS



For more product info and downloads visit our website

