

# DMX CHARTS

## RDM Personality ID List

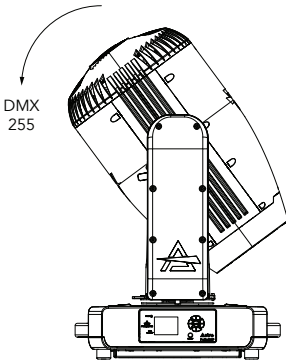
ID	Mode	DMX Footprint
1	BASIC	29
2	STANDARD	39
3	EXTENDED	54

## RDM Model ID

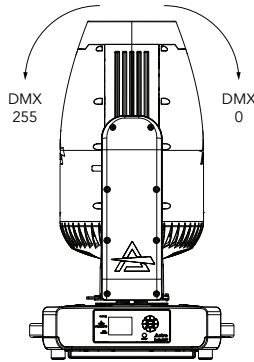
0xA018

## PAN/TILT VALUES

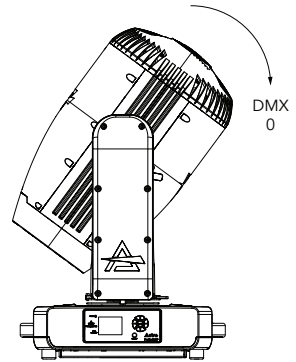
Pan = 128  
Tilt = 0



Pan = 128  
Tilt = 128

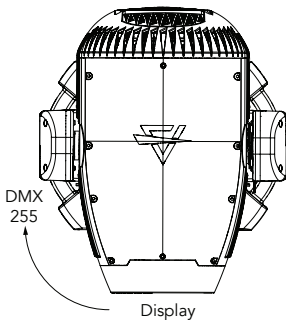


Pan = 128  
Tilt = 255

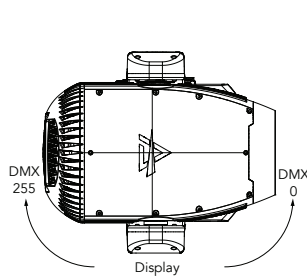


Tilt movement range: 270°  
Pan movement range: 540

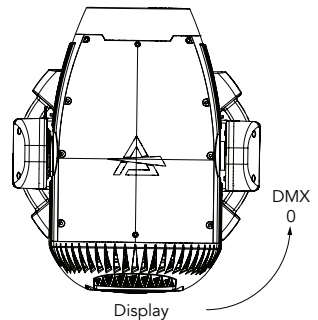
Pan = 0  
Tilt = 80



Pan = 128  
Tilt = 80



Pan = 255  
Tilt = 80



## DMX Chart Summary

Channel	Basic	Standard	Extended
1	Pan	Pan	Pan
2	Tilt	Pan fine	Pan fine
3	Dimmer	Tilt	Tilt
4	Shutter	Tilt fine	Tilt fine
5	Cyan	Dimmer	Dimmer
6	Magenta	Dimmer Fine	Dimmer Fine
7	Yellow	Shutter	Shutter
8	CTO	Cyan	Cyan
9	Color Wheel	Magenta	Cyan Fine
10	Rot Gobo	Yellow	Magenta
11	Gobo Rot	CTO	Magenta Fine
12	4f Prism	Color Wheel	Yellow
13	4f Prism Rotation	Rot Gobo	Yellow Fine
14	Frost	Gobo Rot	CTO
15	Iris	Gobo Rot Fine	CTO Fine
16	Zoom	4f Prism	Color Wheel
17	Focus	4f Prism Rotation	Rot Gobo
18	Animation Insertion	4f Prism Rot. Fine	Gobo Rot
19	Animation Rotation	Frost	Gobo Rot Fine
20	Blade 1 position	Iris	4f Prism
21	Blade 1 rotation	Zoom	4f Prism Rotation
22	Blade 2 position	Zoom Fine	4f Prism Rot. Fine
23	Blade 2 rotation	Focus	Frost
24	Blade 3 position	Focus Fine	Frost Fine
25	Blade 3 rotation	Animation Insertion	Iris
26	Blade 4 position	Animation Rotation	Iris Fine
27	Blade 4 rotation	Animation Rot. Fine	Zoom
28	Frame Rotation	Blade 1 position	Zoom Fine
29	Control	Blade 1 rotation	Focus
30		Blade 2 position	Focus Fine
31		Blade 2 rotation	Animation Insertion
32		Blade 3 position	Animation Rotation
33		Blade 3 rotation	Animation Rot. Fine
34		Blade 4 position	Blade 1 position
35		Blade 4 rotation	Blade 1 position fine

### DMX Chart Summary

Channel	Basic	Standard	Extended
36		Frame rotation	Blade 1 rotation
37		Frame macros	Blade 1 rotation fine
38		Frame macros speed	Blade 2 position
39		Control	Blade 2 position fine
40			Blade 2 rotation
41			Blade 2 rotation fine
42			Blade 3 position
43			Blade 3 position fine
44			Blade 3 rotation
45			Blade 3 rotation fine
46			Blade 4 position
47			Blade 4 position fine
48			Blade 4 rotation
49			Blade 4 rotation fine
50			Frame rotation
51			Frame rotation fine
52			Frame macros
53			Frame macros speed
54			Control

CHANNEL			Name	Function	Min DMX	Max DMX	Default
BAS	STD	EXT					
1	1	1	Pan	Lineary from 0% to 100%	0	255	128
-	2	2	Pan fine	Lineary from 0% to 100%	0	255	128
2	3	3	Tilt	Lineary from 0% to 100%	0	255	128
-	4	4	Tilt fine	Lineary from 0% to 100%	0	255	128
3	5	5	Dimmer	Lineary from close to open	0	255	000
-	6	6	Dimmer Fine	Lineary from close to open	0	255	000
4	7	7	Shutter	Close	0	1	255
				Strobe from slow to fast	2	62	
				Open	63	64	
				Pulse in from slow to fast	65	125	
				Open	126	127	
				Pulse out from slow to fast	128	188	
				Open	189	190	
				Randon from slow to fast	191	251	
Open	252	255					
5	8	8	Cyan	Lineary from 0% to 100%	0	255	000
-	-	9	Cyan Fine	Lineary from 0% to 100%	0	255	000
6	9	10	Magenta	Lineary from 0% to 100%	0	255	000
-	-	11	Magenta Fine	Lineary from 0% to 100%	0	255	000
7	10	12	Yellow	Lineary from 0% to 100%	0	255	000
-	-	13	Yellow Fine	Lineary from 0% to 100%	0	255	000
8	11	14	CTO	Lineary from 0% to 100%	0	255	000
-	-	15	CTO Fine	Lineary from 0% to 100%	0	255	000
9	12	16	Color Wheel	Indexed			0
				Open	0	8	
				Open + CTC 5600K	9	15	
				CTC 5600K	16	22	
				CTC 5600K + BRIGHT RED	23	29	
				BRIGHT RED	30	36	
				BRIGHT RED + DEEPER BLUE	37	43	
				DEEPER BLUE	44	50	
				DEEPER BLUE + FOREST GREEN	51	57	
				FOREST GREEN	58	64	
				FOREST GREEN + DEEP ORANGE	65	71	
				DEEP ORANGE	72	78	
				DEEP ORANGE + MAGENTA	79	85	
				MAGENTA	86	92	
				MAGENTA + CONGO BLUE	93	99	
				CONGO BLUE	100	106	
				CONGO BLUE + OPEN	107	113	
				Reserved	114	120	
				Reserved	121	127	
				Forward Spin			
From fast to slow	128	190					
Stop							
Stop	191	192					
Reverse Spin							
From slow to fast	193	255					

CHANNEL			Name	Function	Min DMX	Max DMX	Default
BAS	STD	EXT					
10	13	17	Rot Gobo	Indexed			000
				Open	0	7	
				GOBO 1	8	15	
				GOBO 2	16	23	
				GOBO 3	24	31	
				GOBO 4	32	39	
				GOBO 5	40	47	
				GOBO 6	48	55	
				GOBO 7	56	63	
				Forward Spin			
				From fast to slow	64	130	
				Stop			
				Stop	131	132	
				Reverse Spin			
				From slow to fast	133	199	
				Shake			
				GOBO 1 from slow to fast	200	207	
				GOBO 2 from slow to fast	208	215	
GOBO 3 from slow to fast	216	223					
GOBO 4 from slow to fast	224	231					
GOBO 5 from slow to fast	232	239					
GOBO 6 from slow to fast	240	247					
GOBO 7 from slow to fast	248	255					
11	14	18	Gobo Rot	Indexed			000
				Lineary from 0° to 360°	0	127	
				Forward Spin			
				From fast to slow	128	190	
				Stop			
				Stop	191	192	
				Reverse Spin			
From slow to fast	193	255					
-	15	19	Gobo Rot Fine	Lineary from 0° to 360° (Indexed)	0	255	000
12	16	20	4f Prism	Open	0	127	000
				Prism insert	128	255	
13	17	21	4f Prism Rotation	Indexed			000
				Lineary from 0° to 360°	0	127	
				Forward Spin			
				From fast to slow	128	190	
				Stop			
				Stop	191	192	
				Reverse Spin			
From slow to fast	193	255					
-	18	22	4f Prism Rot. Fine	Lineary from 0° to 360° (Indexed)	0	255	000
14	19	23	Frost	Continuous			000
-	-	24	Frost Fine	Lineary from 0% to 100%	0	255	000
15	20	25	Iris	Indexed			000
				Lineary from Large to Small	0	63	
				Effect 1			
				Close from fast to slow	64	127	
				Effect 2			
				Open from slow to fast	128	191	
				Effect 3			
Open and close from slow to fast	192	255					
-	-	26	Iris Fine	Lineary from 0% to 100% (Indexed)	0	255	000
16	21	27	Zoom	Lineary from in to out	0	255	000
-	22	28	Zoom Fine	Lineary from in to out	0	255	000
17	23	29	Focus	Lineary from in to out	0	255	000

CHANNEL			Name	Function	Min DMX	Max DMX	Default
BAS	STD	EXT					
-	24	30	Focus Fine	Lineary from in to out	0	255	000
18	25	31	Animation Insertion	Continuous			000
				Lineary from 0% to 100%	0	255	
19	26	32	Animation Rotation	Indexed			000
				Lineary from 0° to 360°	0	127	
				Forward Spin			
				From fast to slow	128	190	
				Stop			
				Stop	191	192	
				Reverse Spin			
			From slow to fast	193	255		
-	27	33	Animation Rot. Fine	Lineary from 0° to 360° (Indexed)	0	255	000
20	28	34	Blade 1 position	Movement from outward to inward	0	255	000
-	-	35	Blade 1 position fine	Movement from outward to inward	0	255	000
21	29	36	Blade 1 rotation	Swivelling from -30 degrees towards 0 degrees	0	127	128
				0 degrees	128	128	
				Swivelling from 0 degrees to +30 degrees	129	255	
-	-	37	Blade 1 rotation fine	Lineary from 0 to 100%	0	255	000
22	30	38	Blade 2 position	Movement from outward to inward	0	255	000
-	-	39	Blade 2 position fine	Movement from outward to inward	0	255	000
23	31	40	Blade 2 rotation	Swivelling from -30 degrees towards 0 degrees	0	127	128
				0 degrees	128	128	
				Swivelling from 0 degrees to +30 degrees	129	255	
-	-	41	Blade 2 rotation fine	Lineary from 0 to 100%	0	255	000
24	32	42	Blade 3 position	Movement from outward to inward	0	255	000
-	-	43	Blade 3 position fine	Movement from outward to inward	0	255	000
25	33	44	Blade 3 rotation	Swivelling from -30 degrees towards 0 degrees	0	127	128
				0 degrees	128	128	
				Swivelling from 0 degrees to +30 degrees	129	255	
-	-	45	Blade 3 rotation fine	Lineary from 0 to 100%	0	255	000
26	34	46	Blade 4 position	Movement from outward to inward	0	255	000
-	-	47	Blade 4 position fine	Movement from outward to inward	0	255	000
27	35	48	Blade 4 rotation	Swivelling from -30 degrees towards 0 degrees	0	127	128
				0 degrees	128	128	
				Swivelling from 0 degrees to +30 degrees	129	255	
-	-	49	Blade 4 rotation fine	Lineary from 0 to 100%	0	255	000
28	36	50	Frame rotation	Swivelling from -45 degrees towards 0 degrees	0	127	128
				0 degrees	128	128	
				Swivelling from 0 degrees to +45 degrees	129	255	
-	-	51	Frame rotation fine	Lineary from 0 to 100%	0	255	000

CHANNEL			Name	Function	Min DMX	Max DMX	Default
BAS	STD	EXT					
-	37	52	Frame macros	No Function	0	3	000
				Macro 1	4	10	
				Macro 2	11	17	
				Macro 3	18	24	
				Macro 4	25	31	
				Macro 5	32	38	
				Macro 6	39	45	
				Macro 7	46	52	
				Macro 8	53	59	
				Macro 9	60	66	
				Macro 10	67	73	
				Macro 11	74	80	
				Macro 12	81	87	
				Macro 13	88	94	
				Macro 14	95	101	
				Macro 15	102	108	
				Macro 16	109	115	
				Macro 17	116	122	
				Macro 18	123	129	
				Macro 19	130	136	
				Macro 20	137	143	
				Macro 21	144	150	
				Macro 22	151	157	
				Macro 23	158	164	
				Macro 24	165	171	
				Macro 25	172	178	
				Macro 26	179	185	
				Macro 27	186	192	
				Macro 28	193	199	
				Macro 29	200	206	
				Macro 30	207	213	
				Macro 31	214	220	
				Macro 32	221	227	
				Macro 33	228	234	
				Macro 34	235	241	
				Macro 35	242	248	
				Macro 36	249	255	
-	38	53	Frame macros speed	Lineary from 0 to 100%	0	255	000
29	39	54	Control	No Function/Safe	0	1	000
				PAN REVERSE ON	2	3	
				PAN REVERSE OFF	4	5	
				TILT REVERSE ON	6	7	
				TILT REVERSE OFF	8	9	
				PAN/TILT MODE FAST	10	11	
				PAN/TILT MODE MEDIUM	12	13	
				PAN/TILT MODE SLOW	14	15	
				HOME MODE STANDARD	16	17	
				HOME MODE CUSTOM	18	19	
				MOVEMENT IN BLACKOUT ON	20	21	
				MOVEMENT IN BLACKOUT OFF	22	23	
				COLOR WHEEL BLACKOUT ON (index)	24	25	
				COLOR WHEEL BLACKOUT OFF (index)	26	27	
				COLOR WHEEL CONTINUOUS MOVEMENT (index)	28	29	
				COLOR WHEEL STEP MOVEMENT (index)	30	31	
				ROTATING GOBO WHEEL BLACKOUT ON (index)	32	33	
				ROTATING GOBO WHEEL BLACKOUT OFF (index)	34	35	

CHANNEL			Name	Function	Min DMX	Max DMX	Default
BAS	STD	EXT					
				ROTATING GOBO WHEEL CONTINUOUS MOVEMENT (index)	36	37	
				ROTATING GOBO WHEEL STEP MOVEMENT (index)	38	39	
				DISPLAY ON	40	41	
				DISPLAY 10S	42	43	
				DISPLAY 20S	44	45	
				DISPLAY 30S	46	47	
				FLIP DISPLAY ON	48	49	
				FLIP DISPLAY OFF	50	51	
				FLIP DISPLAY AUTO	52	53	
				KEY LOCK ON	54	55	
				KEY LOCK OFF	56	57	
				FAN MODE AUTO	58	59	
				FAN MODE SILENT	60	61	
				FAN MODE HIGH	62	63	
				NO SIGNAL HOLD	64	65	
				NO SIGNAL BLACKOUT	66	67	
				STATUS LED ON	68	69	
				STATUS LED OFF	70	71	
				DIMMER CURVE LINEAR	72	73	
				DIMMER CURVE S-CURVE	74	75	
				DIMMER CURVE SQUARE LAW	76	77	
				DIMMER CURVE INVERSE SQUARE LAW	78	79	
				DIMMER SPEED AUTO	80	81	
				DIMMER SPEED FAST	82	83	
				DIMMER SPEED MEDIUM	84	85	
				DIMMER SPEED SLOW	86	87	
				LED FREQUENCY 600HZ	88	89	
				LED FREQUENCY 1200HZ	90	91	
				LED FREQUENCY 2000HZ	92	93	
				LED FREQUENCY 4000HZ	94	95	
				LED FREQUENCY 6000HZ	96	97	
				LED FREQUENCY 25KHZ	98	99	
				LED FREQUENCY 50KHZ	100	101	
				INVERT ZOOM OFF	102	103	
				INVERT ZOOM ON	104	105	
				RESET ALL	106	107	
				RESET PAN	108	109	
				RESET TILT	110	111	
				RESET PAN & TILT	112	113	
				RESET CYAN	114	115	
				RESET MAGENTA	116	117	
				RESET YELLOW	118	119	
				RESET CTO	120	121	
				RESET COLOR WHEEL	122	123	
				RESET GOBO WHEEL	124	125	
				RESET GOBO ROTATION	126	127	
				RESET ANIMATION	128	129	
				RESET ANIMATION ROTATION	130	131	
				RESET PRISM	132	133	
				RESET PRISM ROTATION	134	135	
				RESET FROST	136	137	
				RESET IRIS	138	139	
				RESET ZOOM	140	141	
				RESET FOCUS	142	143	
				RESET FRAME ROT	144	145	
				RESET BLADE 1 POSITON	146	147	
				RESET BLADE 1 ROT	148	149	

CHANNEL			Name	Function	Min DMX	Max DMX	Default
BAS	STD	EXT					
				RESET BLADE 2 POSITON	150	151	
				RESET BLADE 2 ROT	152	153	
				RESET BLADE 3 POSITON	154	155	
				RESET BLADE 3 ROT	156	157	
				RESET BLADE 4 POSITON	158	159	
				RESET BLADE 4 ROT	160	161	
				Reserved	162	163	
				Reserved	164	165	
				Reserved	166	167	
				Reserved	168	169	
				Reserved	170	171	
				Reserved	172	173	
				Reserved	174	175	
				Reserved	176	177	
				Reserved	178	179	
				Reserved	180	181	
				Reserved	182	183	
				Reserved	184	185	
				Reserved	186	187	
				Reserved	188	189	
				Reserved	190	191	
				Reserved	192	193	
				Reserved	194	195	
				Reserved	196	197	
				Reserved	198	199	
				Reserved	200	201	
				Reserved	202	203	
				Reserved	204	205	
				Reserved	206	207	
				Reserved	208	209	
				Reserved	210	211	
				Reserved	212	213	
				Reserved	214	215	
				Reserved	216	217	
				Reserved	218	219	
				Reserved	220	221	
				Reserved	222	223	
				Reserved	224	225	
				Reserved	226	227	
				Reserved	228	229	
				Reserved	230	231	
				Reserved	232	233	
				Reserved	234	235	
				Reserved	236	237	
				Reserved	238	239	
				Reserved	240	241	
				Reserved	242	243	
				Reserved	244	245	
				Reserved	246	247	
				Reserved	248	249	
				Reserved	250	251	
				Reserved	252	253	
				FACTORY DEFAULT OF CONTROL FUNCTIONS	254	255	